



# ELECTRIC WOOD CHIPPER + SHREDDER

## 15-AMP | 17:1 REDUCTION RATIO

### OPERATOR'S MANUAL

A Division of Snow Joe®, LLC

Model CJ602E

Form No. SJ-CJ602E-880E-MR5

## IMPORTANT!


### Safety Instructions


### All Operators Must Read These Instructions Before Use


Always follow these safety guidelines. Failure to do so may result in serious bodily injury or death.

### General Safety WARNINGS!

You and any other operator of this wood chipper + shredder must read, understand, and follow these instructions in their entirety. Failure to follow these instructions may result in **ELECTRIC SHOCK, FIRE, and/or serious PERSONAL INJURY.**

Notice the personal safety alert symbol  used in this manual to draw your attention to a **WARNING** given along with the particular operating instruction. This means that the operation requires special **ATTENTION, CAUTION, and AWARENESS.**

** WARNING!** Wear appropriate personal hearing protection during use. Under some conditions and duration of use, noise from this product may contribute to hearing loss.

** WARNING!** The rotating blades can cut you. Keep hands and feet away from the hopper and the discharge chute.

Before using the wood chipper + shredder, familiarize yourself with the controls, especially how to stop the unit in an emergency. The only individuals who should use the wood chipper + shredder are those who thoroughly understand these instructions and know how to properly operate the unit. Children should never be allowed access to the wood chipper + shredder.

Retain this manual for future reference and reread it at the start of each chipping season.

## General Safety

- 1. Avoid dangerous environments** – Do not use the wood chipper + shredder in rain or in damp or wet locations. Do not operate the unit in gaseous or explosive atmospheres or use the unit near flammable or combustible liquids.

Motors in these tools normally spark, and the sparks might ignite fumes.

- 2. Dress properly** – Do not wear loose clothing or jewelry as such articles can become caught in moving parts. Wear a protective covering to contain long hair. Wearing rubber gloves and substantial non-slip footwear is recommended when working outdoors.
- 3. Use safety glasses** – Also use dust mask, safety footwear, snug-fitting clothing, protective gloves, hearing, and head protection.
- 4. Extension cords** – To prevent electric shock, use only with an extension cord suitable for outdoor use.
- 5. Disconnect the tool** – Disconnect the wood chipper + shredder from the power supply when it is not in use, before servicing it, when changing accessories, and when performing any other maintenance task.
- 6. Do not abuse the cord** – Never carry the wood chipper + shredder by the cord or yank the cord to disconnect it from the receptacle. Keep the cord away from heat, oil, and sharp edges.
- 7. Stay alert** – Watch what you are doing. Use common sense. Do not operate the wood chipper + shredder when you are tired or under the influence of drugs, alcohol, or other medication.
- 8. Store idle tool indoors** – When not in use, the wood chipper + shredder should be stored indoors in a dry and high or locked-up place out of the reach of children.
- 9. Maintain the wood chipper + shredder with care** – Keep the cutting edges sharp and clean for optimal performance and to reduce the risk of injury. Inspect the extension cord periodically and immediately replace it if damaged. Keep the handles dry, clean, and free from oil and grease. Follow the additional recommendations described in the Care + Maintenance section of this manual.
- 10. Check for damaged parts** – Before further use of the appliance, a part that is damaged should be carefully checked to determine that it will operate properly and perform its intended function. Check for alignment of moving parts, binding of moving parts, breakage of parts, mounting, and any other condition that may affect its operation. A part that is damaged should be properly repaired or replaced. Contact the Snow Joe® + Sun Joe® customer service center at 1-866-SNOWJOE (1-866-766-9563) for assistance.
- 11. Lighting** – Only operate your wood chipper + shredder in daylight or good artificial light.

12. **Do not overreach** – Keep proper footing and balance at all times.
13. **Never leave a running tool unattended** – Turn the wood chipper + shredder off and wait until it comes to a complete stop before leaving the work area.
14. **Avoid accidental starting** – Do not carry the wood chipper + shredder with your finger on the switch. Make sure the switch is off before plugging in or unplugging the unit.
15. **Use the right tool** – Do not use this machine for any job except that for which it was intended.
16. **Keep children, bystanders, and pets away** – All spectators, including pets, should be kept a safe distance away from the work area.

## Personal Safety

1. Before starting the wood chipper + shredder, make sure that the hopper inlet is empty.
2. Keep your face and body away from the opening.
3. Do not allow hands or any other part of the body or clothing near the hopper or discharge chute.
4. Never put your hands into the hopper while the wood chipper + shredder is running. Always use the paddle supplied with your wood chipper + shredder to push items into the hopper.
5. Do not try to force objects larger than the recommended diameter of 1-1/2" into the hopper.
6. Always stand clear of the discharge zone when operating the wood chipper + shredder. Never reach under the unit until it has come to a complete stop.
7. When feeding material into the wood chipper + shredder, be careful to remove pieces of metal, rocks, bottles, cans or other foreign objects that may damage the blades.
8. If the cutting mechanism strikes a foreign object or if the wood chipper + shredder should start making any unusual noise or vibration, turn it off and allow it to come to a complete stop. Disconnect from power supply and take the following steps:
  - Inspect for damage;
  - Check for and tighten any loose parts.

**⚠ WARNING!** Never reach into the hopper until the wood chipper + shredder has come to a complete stop and is unplugged. The blades will continue to rotate for a few seconds after the unit is turned off.

9. Do not allow processed material to build up in the discharge zone; this may prevent proper discharge and can result in kickback of material through the hopper.

**⚠ WARNING!** Never put your hands near the discharge chute. Failure to heed the warning could result in serious injury.

10. If the wood chipper + shredder becomes clogged, turn it OFF and disconnect from power supply before clearing debris. Keep the power source clear of debris and other accumulations to prevent damage to the power source. Remember that the starting mechanism on engine powered tools will cause the cutting mechanism to move.
11. Keep all guards and deflectors in place and in good working condition.
12. Do not operate the wood chipper + shredder on a paved or gravel surface where ejected material could cause injury.
13. Turn off the wood chipper + shredder and disconnect it from the power supply whenever you leave the work area.
14. Do not tilt the wood chipper + shredder while it is running.
15. Never reach into the hopper until the wood chipper + shredder has come to a complete stop and has been disconnected from the power supply.

# Electric Safety

1. Ground fault circuit interrupter (GFCI) protection should be provided on the circuit(s) or outlet(s) to be used for this electric wood chipper + shredder. Receptacles are available having built-in GFCI protection and may be used for this measure of safety.
2. To prevent electric shock, use only with an extension cord suitable for outdoor use, such as SW-A, SOW-A, STW-A, STOW-A, SJW-A, SJOW-A, SJTW-A, or SJTOW-A.

Before use, check that the extension cord is in good condition. When using an extension cord, make sure to use one heavy enough to carry the current to the product. An undersized cord will cause a drop in line voltage resulting in loss of power and overheating.

⚠ **WARNING!** ⚠

**Electric shock may cause SEVERE INJURY or DEATH. Heed these warnings:**

- Do not allow any part of the wood chipper + shredder to make contact with water while it is in operation. If the appliance becomes wet while turned off, wipe dry before starting.
- Use only a UL-, CSA- or ETL-rated extension cord for outdoor, all-weather use.
- Do not use an extension cord over 100 ft (30 m).
- Do not touch the appliance or its plug with wet hands or while standing in water. Wearing rubber boots offers some protection.

**EXTENSION CORD CHART**

Cord Length:	Up to 50 ft (15 m)	+50 ft - 100 ft (+15 m - 30 m)
Min. Wire Gauge (A.W.G.):	14	12

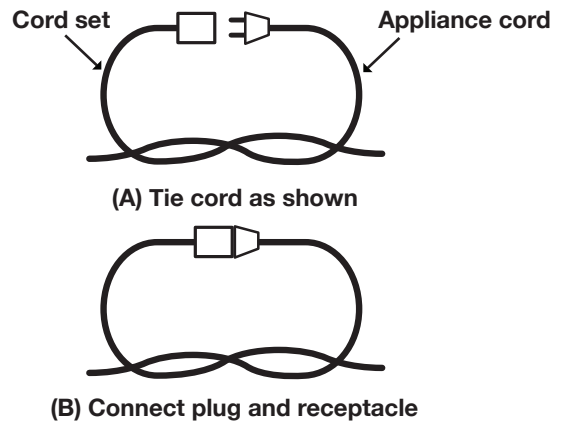
3. To reduce the risk of electric shock, this appliance has a polarized plug (i.e. one blade is wider than the other). Use this appliance only with a polarized UL-, CSA-, or ETL-listed extension cord recommended for outdoor, all-weather use, such as the Snow Joe® + Sun Joe® SJTW-A 14-gauge 50-foot extension cord with lighted end (Model PJEXT50-B). Visit [snowjoe.com](http://snowjoe.com) to purchase this extension cord online or, to order by phone, call 1-866-SNOWJOE (1-866-766-9563).

The appliance plug will fit into a polarized extension cord only one way. If the appliance plug does not fit fully into the extension cord, reverse the plug. If the plug still does not fit, obtain a correct polarized extension cord. A polarized extension cord will require the use of a polarized wall outlet. The extension cord plug will fit into the polarized wall outlet only one way. If the plug does not fit fully into the wall outlet, reverse the plug. If the plug

still does not fit, contact a qualified electrician to install the proper wall outlet. Do not modify the appliance plug, extension cord receptacle, or extension cord plug in any way.


4. To prevent the appliance cord from disconnecting from the extension cord during operation, make a knot with the two cords as shown in Table 1.

**Table 1. Method of Securing Extension Cord**



5. Power tool plugs must match the outlet. Never modify the plug in any way. Do not use any adapter plugs with earthed (grounded) power tools. Unmodified plugs and matching outlets will reduce risk of electric shock.
6. Avoid body contact with earthed or grounded surfaces, such as pipes, radiators, ranges and refrigerators. There is an increased risk of electric shock if your body is earthed or grounded.
7. If the supply cord is damaged, it must be replaced by an electrician or a power tool repairer.
8. When operating a power tool outdoors, use an extension cord suitable for outdoor use. Use of a cord suitable for outdoor use reduces the risk of electric shock.
9. If operating a power tool in a damp location is unavoidable, use a residual current device (RCD) protected supply. Use of an RCD reduces the risk of electric shock.
10. Have your tool repaired by an electrician or a qualified service center. This power tool complies with relevant safety requirements. To avoid danger, electrical appliances must only be repaired by qualified personnel using original spare parts; otherwise this may result in considerable damage to the user.

## Double-Insulated Appliances

In a double-insulated appliance, two systems of insulation are provided instead of grounding. No grounding means is provided on a double-insulated appliance, nor should a means for grounding be added to the appliance. Servicing a double-insulated appliance requires extreme care and knowledge of the system, and should be performed only by qualified service personnel at an authorized Snow Joe® + Sun Joe® dealer. Replacement parts for a double-insulated appliance must be identical to the parts they replace. A double-insulated appliance is marked with the words “Double Insulation” or “Double Insulated.” The symbol  (square within a square) may also be marked on the appliance.









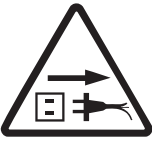


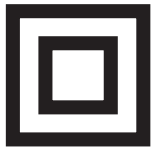


**DOUBLE-INSULATED: GROUNDING NOT REQUIRED. WHEN SERVICING, USE ONLY IDENTICAL REPLACEMENT PARTS.**

This wood chipper + shredder is double-insulated, eliminating the need for a separate grounding system. Use only identical replacement parts. Read the instructions before servicing double-insulated appliances. Use this electric wood chipper + shredder only as described in this manual.

# Safety Symbols

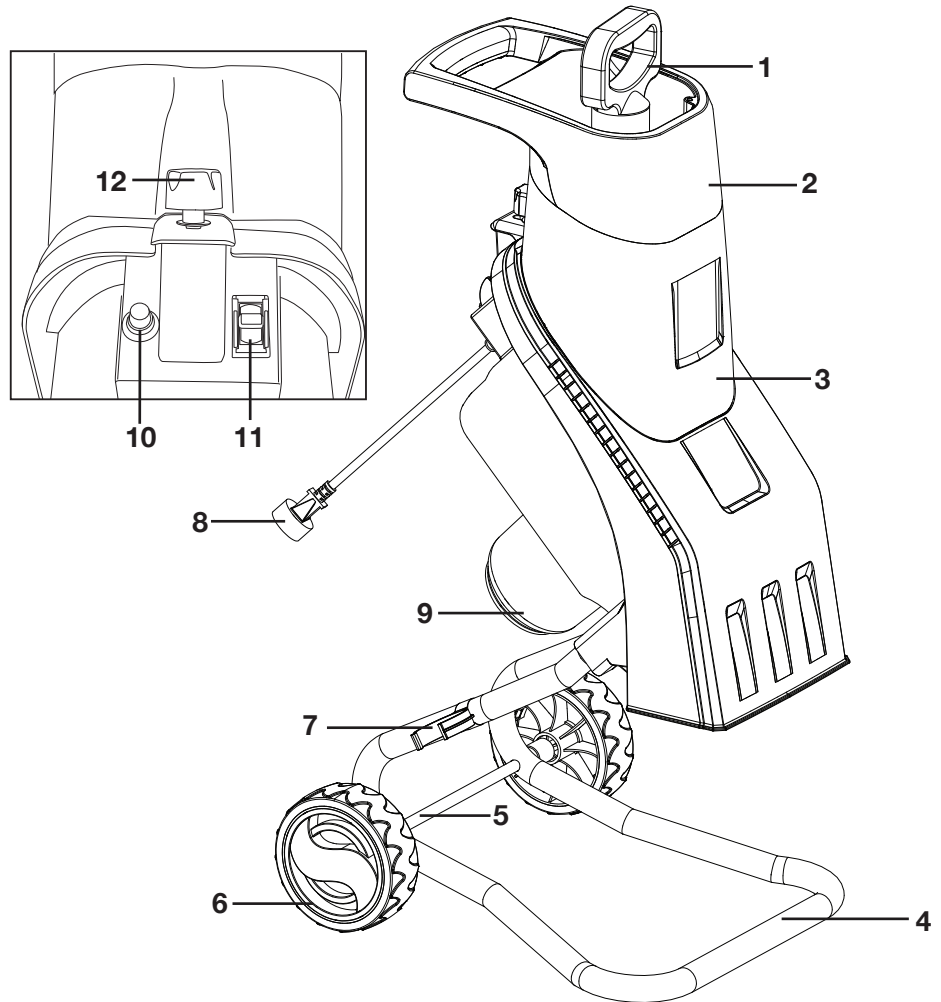
The following table depicts and describes safety symbols that may appear on this product. Read, understand, and follow all instructions on the machine before attempting to assemble and operate.

Symbols	Descriptions	Symbols	Descriptions
	<b>READ THE OPERATOR'S MANUAL(S)</b> – Read, understand, and follow all instructions in the user manual(s) before attempting to assemble and operate.		<b>SAFETY ALERT</b> – Indicates a precaution, a warning, or a danger.
	<b>WARNING!</b> Do not expose the unit to rain or wet conditions.		<b>WEAR EYE AND HEARING PROTECTION</b> – For protection against injury, wear ear defenders and safety goggles.
	Wear protective gloves when using the machine and handling debris.		Wear foot protection when using the machine and handling debris.
	<b>DANGER! ROTATING BLADES</b> – Keep hands and feet away from openings while the unit is running.		<b>SWITCH OFF!</b> Remove plug from outlet before cleaning or conducting maintenance checks.
	<b>SWITCH OFF!</b> Remove plug from outlet immediately if the cord is damaged or cut.		Keep bystanders a safe distance away from the work area.
	Thrown objects and rotating blade can cause severe injury.		Double Insulation.

# Know Your Electric Wood Chipper + Shredder

Read the owner’s manual and safety instructions carefully before operating the electric wood chipper + shredder. Compare the illustration below to the electric wood chipper + shredder in order to become familiar with the location of the various controls and adjustments. Save this manual for future reference.

- 1. Paddle
- 2. Hopper
- 3. Main body
- 4. Shredder stand assembly
- 5. Wheel axle
- 6. Wheel
- 7. Paddle holder
- 8. Appliance cord
- 9. Motor
- 10. Reset button
- 11. Removable safety switch
- 12. Hopper locking knob



## Technical Data

Rated Voltage .....	120V ~ 60 Hz	Cutting Diameter .....	1.57 in. (4 cm)
Motor .....	Electric	Wheel Size .....	6 in. (15.2 cm)
Power .....	15A	Reduction Ratio .....	17:1
Feed Type .....	Manual	Hopper Dimensions .....	2 in. x 5 in. (5.1 cm x 12.7 cm)
No Load Speed .....	4100 ± 10% rpm	Net Weight .....	25.6 lbs (11.6 kg)

# Unpacking

## Carton Contents

- Electric wood chipper + shredder main body with hopper
- Electric wood chipper + shredder stand assembly
- Paddle holder
- Paddle
- Wheel axle with hardware
- Wheels (2)
- Shredder stand assembly washers and screws (2)
- Wrench
- Hex key
- Manual with registration card

1. Carefully remove the electric wood chipper + shredder and check to see that all of the above items are supplied.
2. Inspect the product carefully to make sure no breakage or damage occurred during shipping. If you find damaged or missing parts, DO NOT return the unit to the store. Please call the Snow Joe® + Sun Joe® customer service center at 1-866-SNOWJOE (1-866-766-9563).

**NOTE:** Do not discard the shipping carton and packaging material until you are ready to use the electric wood chipper + shredder. The packaging is made of recyclable materials. Properly dispose of these materials in accordance with local regulations or save the packaging for long-term product storage.

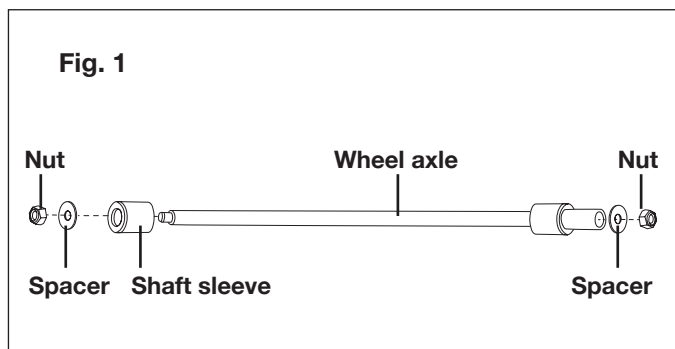
**IMPORTANT!** The equipment and packaging material are not toys. Do not let children play with plastic bags, foils, or small parts. These items can be swallowed and pose a suffocation risk!

# Assembly

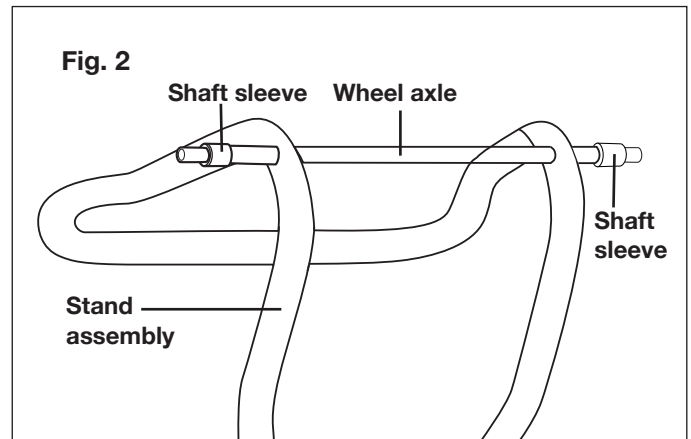
## Wheels Fitting

**NOTE:** The hardware for the wheels are already assembled on the wheel axle.

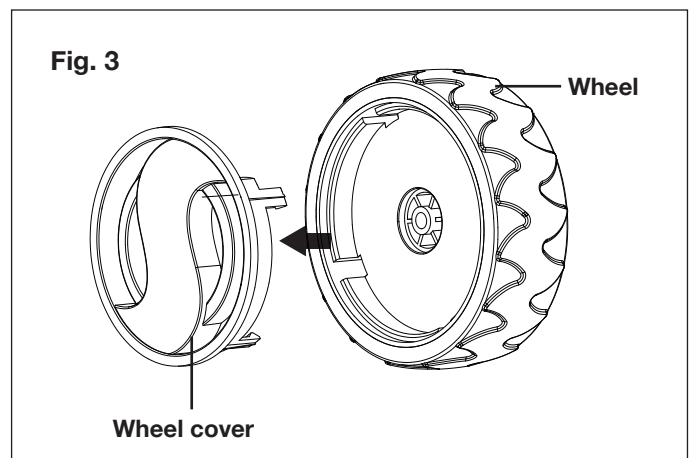
1. Remove all the wheel spacers and nuts on the wheel axle, and remove the shaft sleeve and support cover on one side of the wheel axle (Fig. 1).



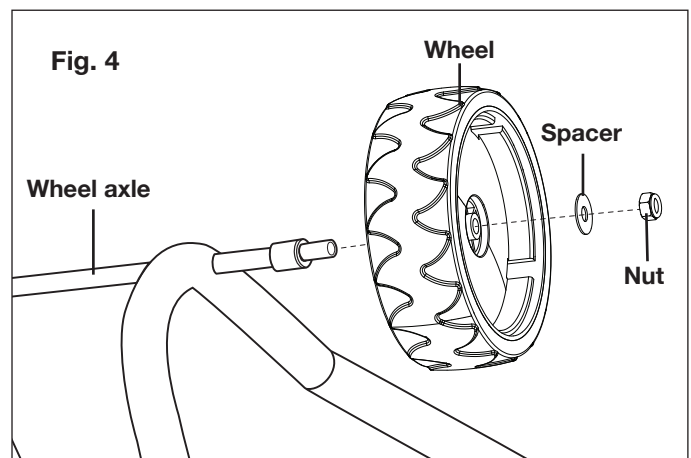
2. Insert the wheel axle into the shredder stand assembly, and re-assemble the shaft sleeve and the support cover (Fig. 2).



3. Remove the wheel cover from the wheel (Fig. 3).

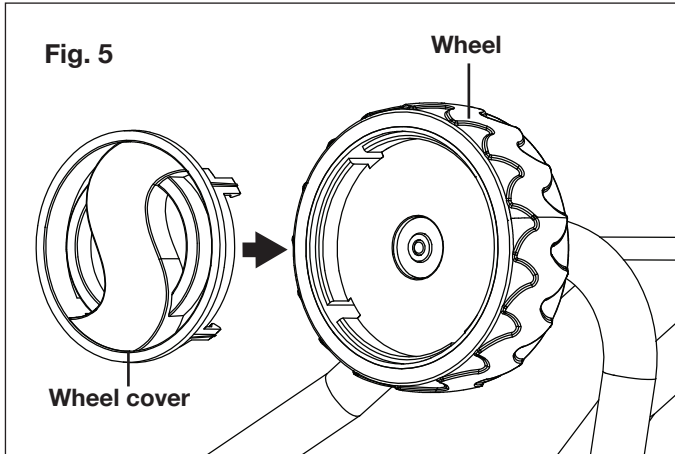


4. Assemble the wheel on the end of the wheel axle, fix it with the spacer and the nut (Fig. 4).



5. Press the wheel cover into the wheel to cover the end of the axle. You may use a hammer to seat them securely over the axle. There may be some clearance between the wheel and the wheel cover, it is not necessary to press it to the bottom (Fig. 5).

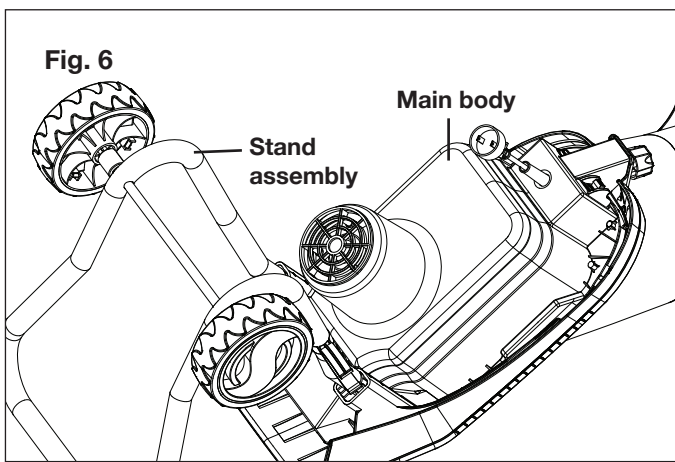




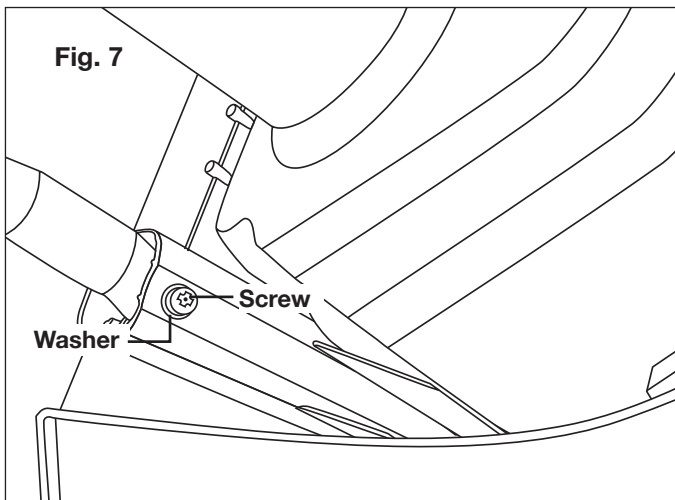
6. Repeat the steps 2 – 4 to assemble the other wheel.

### Stand Assembly Fitting

1. Turn the wood chipper + shredder main body upside down, insert the two ends of the stand assembly into the housing (Fig. 6).

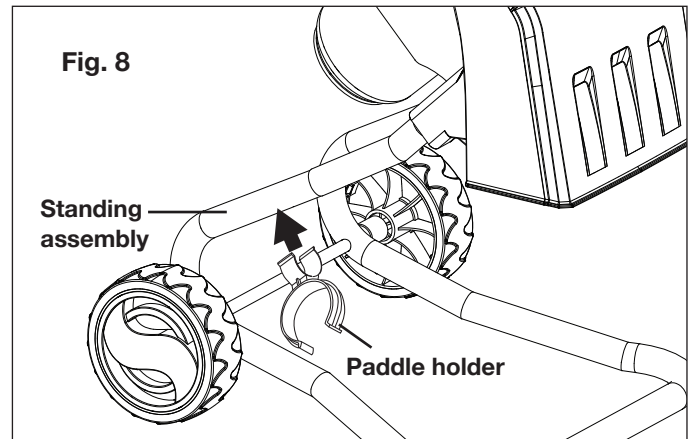


2. Align the holes on the main body housing and stand assembly, insert the washer into the screw and install into the stand assembly on both sides (Fig. 7).

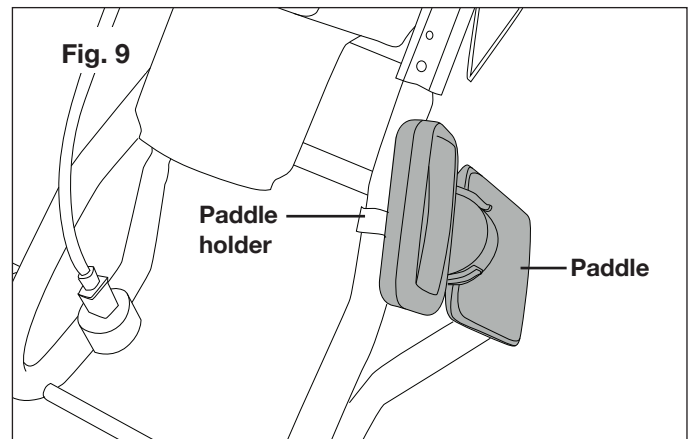


### Fitting the Paddle Holder and the Paddle

1. Stand the unit up, and clip the paddle holder to the standing assembly (Fig. 8).



2. Clip the paddle into the paddle holder (Fig. 9).



**NOTE:** Be sure to place the paddle in the paddle holder every time after using.

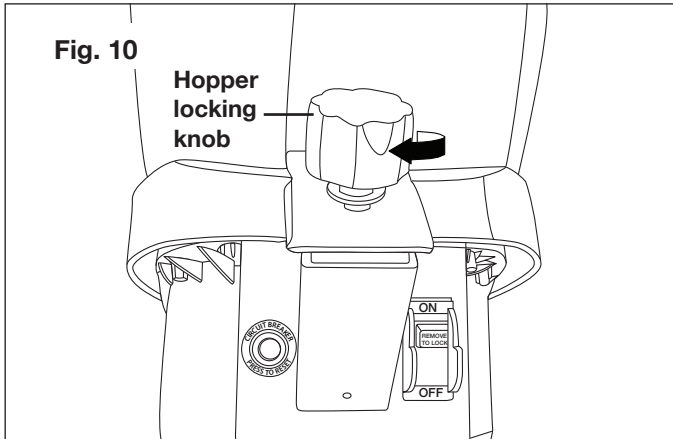
## Operation

### Starting + Stopping

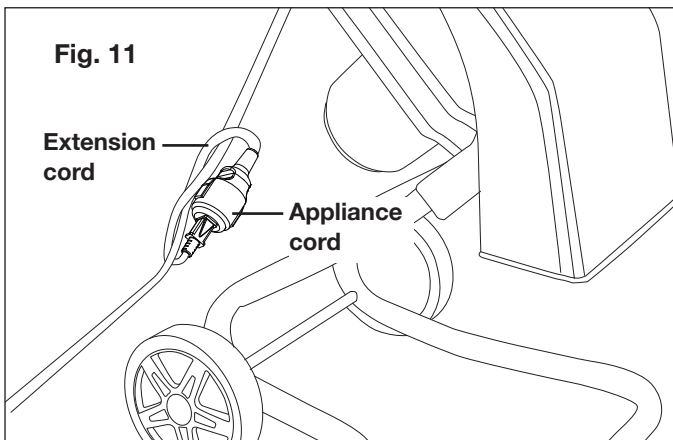
**⚠ WARNING!** Before starting, ensure that the feed inlet is empty.

**⚠ WARNING!** The wood chipper + shredder will not run if the hopper is open or not closed tightly. Always close the hopper tightly by turning the hopper locking knob clockwise before starting the machine (Fig. 10).

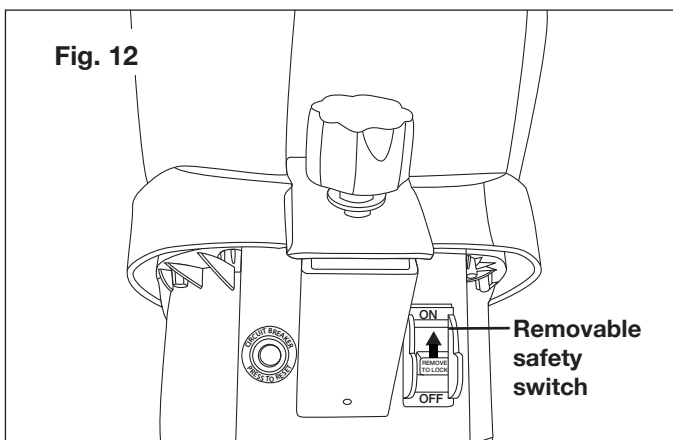




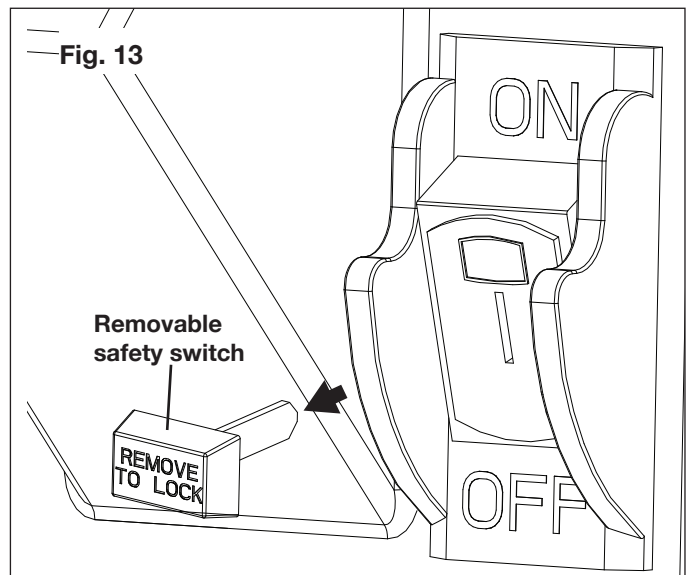
1. Make sure the removable safety switch is in the OFF position. Plug the wood chipper + shredder's appliance cord using an approved extension cord, making a knot with the two cords (Fig. 11).



2. Push the removable safety switch to the ON position to power the wood chipper + shredder on (Fig. 12).



3. To power the wood chipper + shredder off, push the removable safety switch to the OFF position. To disable the machine, remove the safety switch completely (Fig. 13).

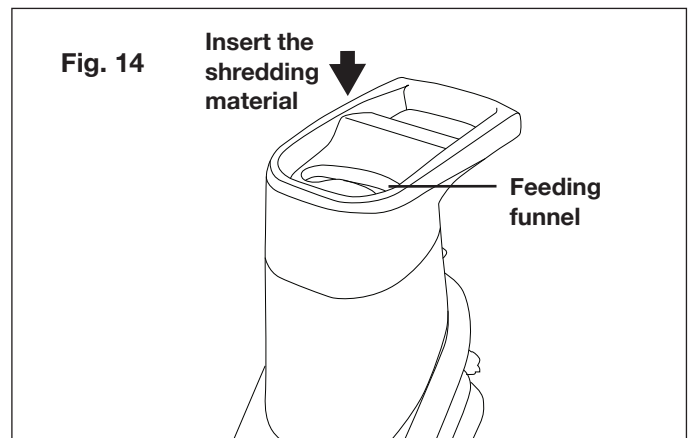


**NOTE:** As a safety precaution, the removable safety switch can be removed when you are not using the wood chipper + shredder to prevent children from starting it accidentally. The unit cannot be started when the safety switch is removed. Make sure to replace the removable safety switch before operation.

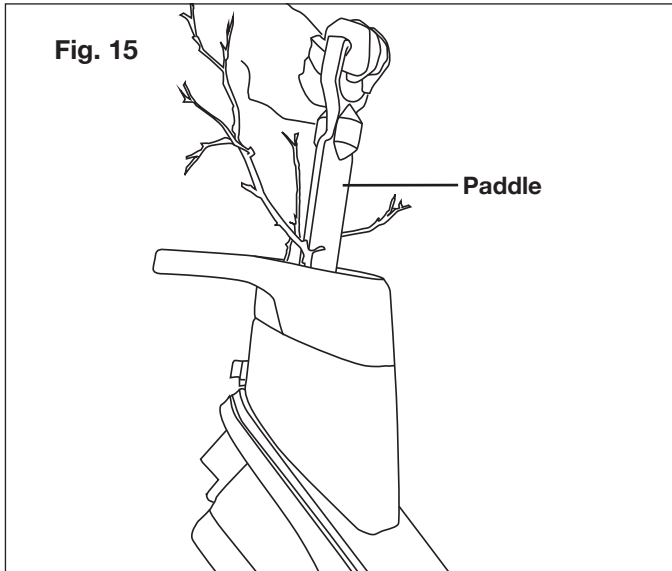
## Basic Shredding Procedure

**⚠️ WARNING!** Always wear ear and eye protection and wear gloves during operation.

1. Connect the wood chipper + shredder to a proper power source and switch on the unit; the wood chipper + shredder will start to work. Insert the shredding material inside the hopper through the feeding funnel to shred them (Fig. 14).



2. Use the paddle to push the material inside the hopper if needed (Fig. 15).



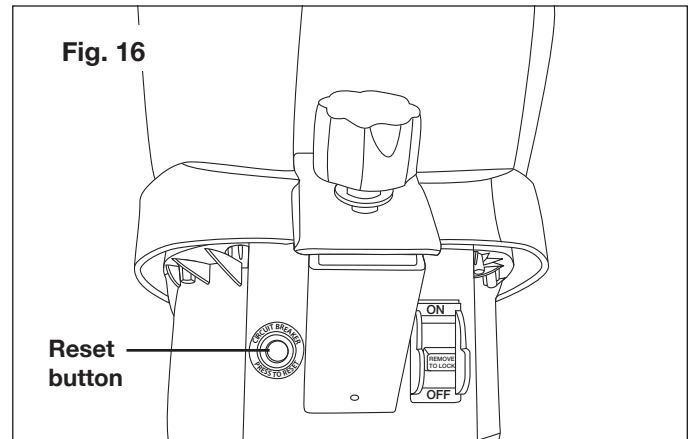
**⚠️WARNING!** Never put your hands into the hopper while the wood chipper + shredder is running. Always use the paddle supplied with your shredder to push items into the hopper.

3. Only insert as much material as needed to prevent blockage of the feeding funnel. Chop garden waste that has been stored for a few days and is wilted and damp alternately with dry branches. This prevents the cutting blades from blocking up. Branches with leaves must be completely chopped before new material is fed. Make sure that the chopped material can fall freely from the ejection slot.
4. Keep hold of branches while feeding them into the wood chipper + shredder until they are automatically drawn in.
5. Keep to the working speed of the wood chipper + shredder and do not overload it.
6. To protect the wood chipper + shredder from clogging, shred wilted garden waste that has been left to dry for a few days and shred thin twigs alternately with branches.
7. Before you shred roots, remove any remaining soil and stones from them.
8. Do not shred soft, damp material such as kitchen waste; take it straight to be composted.
9. Keep a few dry branches for the end, as they will help clean the wood chipper + shredder.
10. Only switch the wood chipper + shredder off after all of the shredding material has passed through the discharge chutes. Otherwise, the discharge chutes may jam the next time the shredder is turned on.

## Overload Protection

Your electric wood chipper + shredder is designed with overload protection. If the shredder is clogged during shredding, the overload protection will cut the power automatically to protect your shredder. Wait at least 1 minute before restart the unit when the power is cut.

1. To restart the wood chipper + shredder, first press the reset button (Fig. 16).



2. Then, push the removable safety switch to ON position to restart the wood chipper + shredder (Fig. 12).

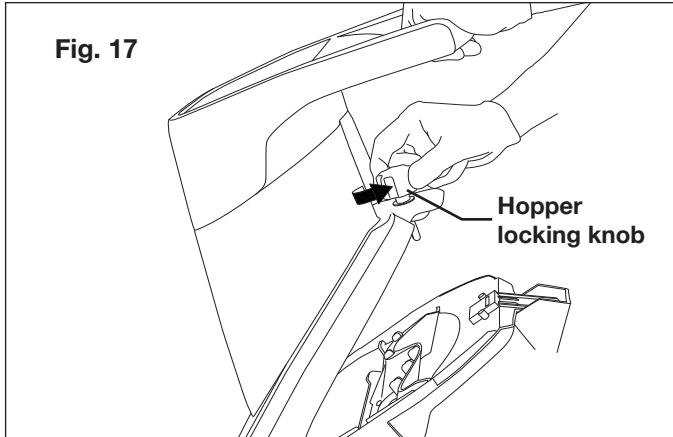
## Care + Maintenance

**⚠️ATTENTION!** Before performing any cleaning or maintenance, disconnect the unit from the power supply.

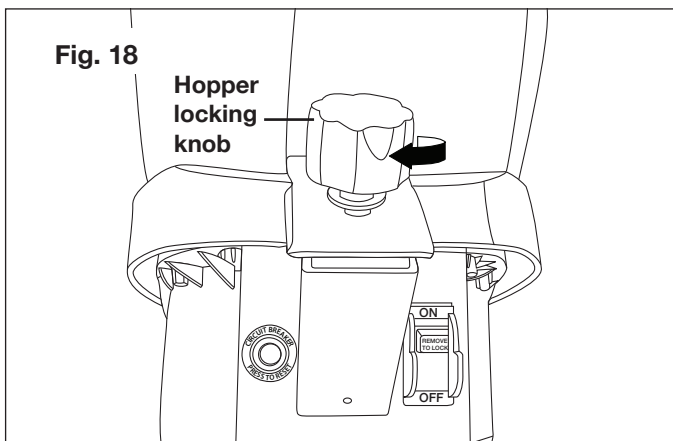
**⚠️WARNING!** Always wear gloves when cleaning and maintaining.

### Cleaning

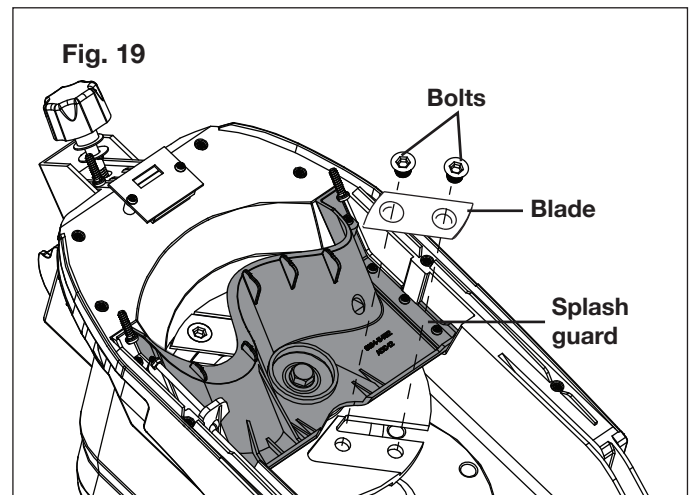
1. Use only a warm damp cloth and a soft brush to clean your wood chipper + shredder.
2. Never spray water on the wood chipper + shredder or wash it with water. Do not use detergents or solvents as these could cause irreparable damage to your shredder.
3. Make sure the ventilation slots are always kept clean and are free of debris.
4. Open the hopper to clean the inside of the unit. Unscrew the hopper locking knob counterclockwise, and remove the hopper (Fig. 17).



5. Clean the cutting blades and the discharge area. Remove wood sticks or objects that may clog the blades. Check the blades for damage.
6. After cleaning the inside of the wood chipper + shredder, replace the hopper and lock the hopper locking knob by turning it clockwise (Fig. 18).



1. Stop the motor and disconnect the unit from the power supply.
2. Unscrew the hopper locking knob counterclockwise to open the hopper (Fig. 17).
3. Align the cutting head past the splash guard so that the blade bolts can be removed; secure the cutting head from rotating by inserting a rod (e.g. a screwdriver) or rag between the cutting head and body. Unscrew the blade bolts using the supplied hex key, and remove the blade (Fig. 19).
4. Reverse the direction of the original blade, or install a new blade. Align the slots on the blade with the grooves on the cutting head. Tighten the bolts with the supplied hex key (Fig. 19).



5. Repeat step 3 and 4 to replace the other blade.
6. Replace the hopper; tighten the hopper locking knob by turning it clockwise.

## Cutting Blade Replacement

The wood chipper + shredder has two reversible blades that are attached to a rotary plate with two bolts. Before any maintenance or cleaning is done on the blades, always turn the switch off and disconnect the plug from the outlet.

**⚠️ WARNING!** Be sure to wear protective gloves when handling the blades.

**IMPORTANT:** Only use original replacement parts specified for this wood chipper + shredder.

You can purchase a replacement blade (Model CJ601E-RBLD) and other genuine replacement parts by ordering online at [sunjoe.com](http://sunjoe.com) or, to order by phone, contact Snow Joe® + Sun Joe® customer service at 1-866-SNOWJOE (1-866-766-9563). The use of parts that do not meet the original equipment specifications may lead to improper performance of the wood chipper + shredder, may compromise operator safety, and will void the manufacturer's warranty.

# Storage

Follow the steps below to prepare the electric wood chipper + shredder for storage:

1. Disconnect the power supply to the wood chipper + shredder.
2. Clean the wood chipper + shredder with a damp cloth or hand brush.
3. Inspect the wood chipper + shredder carefully for worn, loose, or damaged parts. Check connections and screws and tighten if necessary. Pay special attention to the blade and replace if it shows signs of wear. Refer to the Care + Maintenance section.
4. Store the wood chipper + shredder indoors in a dry, clean, and cool area out of the reach of children. Do not store the unit next to corrosive materials, such as fertilizer and rock salt.
5. Wipe the extension cord to remove any foreign substances, such as oil or stains. Replace the extension cord immediately if it is cut or damaged in any way.
6. Do not cover the wood chipper + shredder with a solid plastic sheet. Plastic coverings trap moisture around the shredder, which can damage the unit.

# Service + Support

If your Sun Joe® electric wood chipper + shredder requires service or maintenance, please call the Snow Joe® + Sun Joe® customer service center at 1-866-SNOWJOE (1-866-766-9563).

# Model + Serial Numbers

When contacting the company or reordering parts, you will need to provide the model and serial numbers of your product. These are found on the decal affixed to the housing or handle of your electric wood chipper + shredder. Copy these numbers into the space provided below.

<b>Record the following numbers from the housing or handle of your new product:</b>	
Model #:	
C   J   6   0   2   E	
Serial #:	

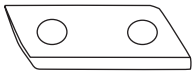
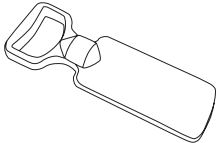
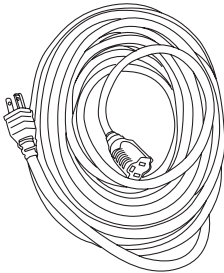
# Troubleshooting

Problem	Possible Cause	Remedy
Motor does not run	<ul style="list-style-type: none"> <li>• Power failure/unit not plugged into a working receptacle.</li> <li>• The overload protection has responded.</li> <li>• The hopper is opened.</li> </ul>	<ul style="list-style-type: none"> <li>• Check to make sure unit is plugged into a working outlet. Make sure extension cord is not damaged.</li> <li>• Remove any chips and press the reset button. Wait one minute before pressing the ON/OFF switch to restart the unit.</li> <li>• Check to make sure the hopper is secured and the hopper locking knob is tightened.</li> </ul>
Chipping material is not being pulled in	<ul style="list-style-type: none"> <li>• The material is jammed in the feed inlet.</li> <li>• The cutting blades are blocked.</li> <li>• The discharge chute is blocked.</li> </ul>	<ul style="list-style-type: none"> <li>• Examine the cutting head and remove any blocked material. Replace the hopper.</li> <li>• Disconnect the power supply and open the hopper. Open the blade cover. Remove the blocked material and replace the blade cover and hopper.</li> <li>• Disconnect the power supply and open the hopper. Open the plate of the discharge chute to clear the blocked material. Replace the plate and hopper.</li> </ul>
Blades cutting inefficiently	<ul style="list-style-type: none"> <li>• Blade edges are worn.</li> </ul>	<ul style="list-style-type: none"> <li>• Reverse the blades or replace with new blades.</li> </ul>

Only a company specialist may be able to correct faults that cannot be rectified with the aid of this table. Please call the Snow Joe® + Sun Joe® customer service center at 1-866-SNOWJOE (1-866-766-9563).

# Optional Accessories

**⚠️ WARNING!** ALWAYS use only authorized Snow Joe® + Sun Joe® replacement parts and accessories. NEVER use replacement parts or accessories that are not intended for use with this tool. Contact Snow Joe® + Sun Joe® if you are unsure whether it is safe to use a particular replacement part or accessory with your tool. The use of any other attachment or accessory can be dangerous and could cause injury or mechanical damage.

Accessories	Item	Model
<p>①</p> 	<p>Sun Joe® CJ601E electric wood chipper + shredder replacement blade</p>	<p>CJ601E-RBLD</p>
<p>②</p> 	<p>Sun Joe® CJ601E electric wood chipper + shredder paddle</p>	<p>CJ601E-1</p>
<p>③</p> 	<p>Snow Joe® + Sun Joe® SJTW-A 14-gauge 50-foot extension cord with lighted end</p>	<p>PJEXT50-B</p>

**NOTE:** Accessories are subject to change without any obligation on the part of Snow Joe® + Sun Joe® to provide notice of such changes. Accessories can be ordered online at [sunjoe.com](http://sunjoe.com) or via phone by contacting the Snow Joe® + Sun Joe® customer service center at 1-866-SNOWJOE (1-866-766-9563).





## SNOW JOE® + SUN JOE® CUSTOMER PROMISE

**ABOVE ALL ELSE**, Snow Joe, LLC (“Snow Joe”) is dedicated to you, our customer. We strive to make your experience as pleasant as possible. Unfortunately, there are times when a Snow Joe®, Sun Joe®, or Aqua Joe® product (“Product”) does not work or breaks under normal operating conditions. We think it’s important that you know what you can expect from us. That’s why we have a Limited Warranty (“Warranty”) for our Products.

---

### **OUR WARRANTY:**

Snow Joe warrants new, genuine, powered and non-powered Products to be free from defects in material or workmanship when used for ordinary household use for a period of two years from the date of purchase by the original, end-user purchaser when purchased from Snow Joe or from one of Snow Joe’s authorized sellers with proof of purchase. Because Snow Joe is unable to control the quality of its Products sold by unauthorized sellers, unless otherwise prohibited by law, this Warranty does not cover Products purchased from unauthorized sellers. If your Product does not work or there’s an issue with a specific part that is covered by the terms of this Warranty, Snow Joe will elect to either (1) send you a free replacement part, (2) replace the Product with a new or comparable product at no charge, or (3) repair the Product. How cool is that!

**This Warranty gives you specific legal rights, and you may also have other rights which vary from State to State.**

### **PRODUCT REGISTRATION:**

Snow Joe strongly encourages you to register your Product. You can register online at [snowjoe.com/register](https://snowjoe.com/register), or by printing and mailing in a registration card available online from our website, or calling our Customer Service Department at **1-866-SNOWJOE (1-866-766-9563)**, or by e-mailing us at [help@snowjoe.com](mailto:help@snowjoe.com). Failure to register your Product will not diminish your warranty rights. However, registering your Product will allow Snow Joe to better serve you with any of your customer service needs.

### **WHO CAN SEEK LIMITED WARRANTY COVERAGE:**

This Warranty is extended by Snow Joe to the original purchaser and original owner of the Product.

### **WHAT IS NOT COVERED?**

This Warranty does not apply if the Product has been used commercially or for non-household or rental applications. This Warranty also does not apply if the Product was purchased from an unauthorized seller. This Warranty also does not cover cosmetic changes that do not affect performance. Wearing parts like belts, augers, chains and tines are not covered under this Warranty, and can be purchased at [snowjoe.com](https://snowjoe.com) or by calling **1-866-SNOWJOE (1-866-766-9563)**.





MANUAL DEL OPERADOR

Una división de Snow Joe®, LLC

# ASTILLADORA + TRITURADORA ELÉCTRICA PARA MADERA

15 A | 17: 1 ÍNDICE DE REDUCCIÓN

SP

Modelo CJ602E

Forma No. SJ-CJ602E-880S-MR5

## ¡IMPORTANTE!


### Instrucciones de seguridad


### Todos los operadores deberán leer estas instrucciones antes del uso


Siga siempre estas normas de seguridad. No hacerlo podría resultar en lesiones corporales severas, o incluso la muerte.

### ¡ADVERTENCIAS generales de seguridad!

Usted y cualquier otro operador de esta astilladora + trituradora de ramas eléctrica deben leer, entender y obedecer en su totalidad estas instrucciones. No seguir todas las instrucciones puede causar un **CHOQUE ELÉCTRICO**, **INCENDIO** y/o **DAÑOS PERSONALES GRAVES**.

Preste atención al símbolo  de alerta de seguridad personal usado en este manual para enfocar su atención a una **ADVERTENCIA** dada junto a una instrucción de operación particular. Esto significa que dicha operación requiere **ATENCIÓN, PRECAUCIÓN y CAUTELA ESPECIALES**.

 **¡ADVERTENCIA!** Utilice protección auditiva adecuada al utilizar la herramienta. Bajo ciertas condiciones y tiempo de uso, el ruido producido por este producto puede contribuir a la sordera.

 **¡ADVERTENCIA!** Las cuchillas giratorias pueden causarles cortes. Mantenga las manos y pies lejos de la tolva y del área de descarga.

Antes de usar la astilladora + trituradora de ramas eléctrica, familiarícese con los controles, sobre todo con la forma de detener la unidad en caso de emergencia. Las únicas personas que deben usar la astilladora + trituradora de ramas eléctrica son aquellas que entienden al pie de la letra estas instrucciones y saben cómo operar correctamente dicho artefacto. Los niños nunca deben tener acceso a la astilladora + trituradora de ramas eléctrica.

Conserve este manual para futuras referencias y vuélvalo a leer al inicio de cada temporada de astillado.

## Seguridad general

- 1. Evite entornos peligrosos:** no utilice la astilladora + trituradora de ramas eléctrica bajo la lluvia o en lugares mojados o húmedos. No opere la unidad en atmósferas gaseosas o explosivas, ni la use cerca de líquidos inflamables o combustibles. Los motores en estas herramientas normalmente echan chispas, y las chispas pueden encender los gases.
- 2. Vístase adecuadamente:** no use vestimenta suelta o joyería, ya que dichos objetos pueden engancharse en las partes móviles. Utilice una cubierta protectora para contener cabellos largos. Se recomienda usar guantes de hule y calzado anti-deslizante protector al trabajar en exteriores.
- 3. Use gafas protectoras:** use también una máscara anti-polvo, calzado protector, ropa que se ajuste a su cuerpo, guantes protectores, protección auditiva y protección para su cabeza.
- 4. Cables de extensión:** para prevenir choques eléctricos, use esta máquina únicamente con un cable de extensión adecuado para uso en exteriores.
- 5. Desconecte la herramienta:** desconecte la astilladora + trituradora de ramas eléctrica de la fuente de alimentación cuando no esté siendo usada, antes de ser reparada, al cambiarle accesorios y al realizar cualquier otra tarea de mantenimiento.
- 6. No abuse del cable:** nunca jale la astilladora + trituradora de ramas eléctrica por su cable ni tire bruscamente de éste para desenchufarla del tomacorriente. Mantenga el cable alejado del calor, aceites y bordes filosos.
- 7. Manténgase alerta:** vea lo que está haciendo. Utilice su sentido común. No opere la astilladora + trituradora de ramas eléctrica si está cansado o bajo la influencia del alcohol, drogas o medicamentos.
- 8. Guarde la herramienta inactiva en interiores:** cuando no esté en uso, la astilladora + trituradora de ramas eléctrica debe almacenarse bajo techo, en un lugar seco, alto o bajo llave, lejos del alcance de los niños.
- 9. Cuide la astilladora + trituradora de ramas eléctrica:** manténgala limpia para un óptimo rendimiento y para reducir el riesgo de lesiones. Inspeccione periódicamente el cable de extensión y reemplácelo inmediatamente si está dañado. Mantenga los mangos secos, limpios y sin aceites o grasas. Siga las recomendaciones adicionales descritas en la sección de cuidado + mantenimiento de este manual.

10. **Verifique si hay partes dañadas:** antes de seguir utilizando el artefacto, cualquier parte que esté dañada debe ser examinada cuidadosamente para determinar si funcionará correctamente o no. Verifique el alineamiento de las partes móviles, las juntas de las partes móviles, roturas de las partes, monturas y cualquier otra condición que pueda afectar su funcionamiento. Una parte que esté dañada debe ser correctamente reparada o reemplazada. Comuníquese con la central de servicio al cliente Snow Joe® + Sun Joe® llamando al 1-866-SNOWJOE (1-866-766-9563) para asistencia.
11. **Iluminación:** opere su astilladora + trituradora de ramas eléctrica solo a la luz del día o bajo luz artificial apropiada.
12. **No se sobreextienda:** mantenga con sus pies balance y posición adecuados todo el tiempo.
13. **Nunca deje sin atender una herramienta funcionando:** apague la astilladora + trituradora de ramas eléctrica y espere a que se detenga por completo antes de abandonar el área de trabajo.
14. **Evite los encendidos accidentales:** no transporte la astilladora + trituradora de ramas eléctrica con su dedo sobre el interruptor. Asegúrese de que el interruptor esté apagado antes de enchufar o desenchufar la unidad.
15. **Use la herramienta adecuada:** no utilice esta máquina para ningún otro trabajo excepto para el cual ha sido diseñada.
16. **Mantenga alejados a los transeúntes, niños y mascotas:** todos los espectadores, incluyendo mascotas, deberán estar a una distancia segura del área de trabajo.

## Seguridad personal

1. Antes de encender la astilladora + trituradora de ramas eléctrica, asegúrese de que la entrada de la tolva esté vacía.
2. Mantenga su rostro y cuerpo lejos del área de corte.
3. No permita que sus manos o cualquier otra parte de su cuerpo o vestimenta estén cerca de la tolva o del conducto de descarga.
4. Nunca coloque sus manos dentro de la tolva mientras la astilladora + trituradora de ramas eléctrica esté funcionando. Utilice siempre la paleta suministrada con su astilladora + trituradora de ramas eléctrica para empujar los materiales dentro de la tolva.
5. No intente forzar dentro de la tolva objetos de diámetros más grandes que el recomendado de 1.5 plg.
6. Siempre párese lejos de la zona de descarga al operar la astilladora + trituradora de ramas eléctrica. Nunca toque la parte inferior de la astilladora + trituradora de ramas eléctrica hasta que ésta se haya detenido por completo.
7. Al colocar material dentro de la astilladora + trituradora de ramas eléctrica, tenga cuidado al retirar partes de metal, rocas, vidrios, latas u otros objetos extraños que puedan dañar las cuchillas.

8. Si el mecanismo de corte de la astilladora + trituradora de ramas eléctrica golpea un objeto extraño, o si ésta empieza a producir un ruido o vibración inusual, apáguela y deje que se detenga por completo. Desenchufe el cable de alimentación y lleve a cabo los siguientes pasos:
  - Inspeccione la unidad para encontrar daños; y
  - Verifique y ajuste cualquier parte que esté suelta.

### ¡ADVERTENCIA! Nunca meta las manos

dentro de la tolva hasta que la astilladora + trituradora de ramas eléctrica se haya detenido por completo y esté desenchufada. Las cuchillas continuarán girando por algunos segundos después de que la unidad haya sido apagada.

9. No permita que el material procesado se acumule en la zona de descarga; esto puede impedir una descarga adecuada y puede resultar en un contragolpe de material a través de la tolva.

### ¡ADVERTENCIA! Nunca coloque sus manos cerca del conducto de descarga. No seguir estas advertencias podría causar lesiones graves.

10. Si se obstruye la astilladora + trituradora de ramas eléctrica, APÁGUELA y desconéctela de la fuente de alimentación antes de limpiar los escombros. Mantenga la fuente de alimentación limpia de escombros y otras acumulaciones para evitar daños a la fuente de alimentación.

Recuerde que el mecanismo de encendido en herramientas con motores eléctricos hará que el mecanismo de corte se mueva.

11. Mantenga los protectores y deflectores en su lugar y funcionando correctamente.
12. No opere la astilladora + trituradora de ramas eléctrica en una superficie pavimentada o de grava donde el material lanzado pueda causar lesiones.
13. Apague la astilladora + trituradora de ramas eléctrica y desconéctela de la fuente de alimentación siempre que usted se retire del área de trabajo.
14. No incline la astilladora + trituradora de ramas eléctrica mientras esté funcionando.
15. Nunca meta las manos dentro de la tolva hasta que la astilladora + trituradora de ramas eléctrica se haya detenido por completo y esté desenchufada de la fuente de alimentación.

## Seguridad eléctrica

1. Un interruptor de circuito de falla de conexión a tierra (GFCI) deberá proteger al(a los) circuito(s) o tomacorriente(s) a ser utilizado(s) con la astilladora + trituradora de ramas eléctrica. Hay receptáculos disponibles con protección incorporada GFCI y pueden ser utilizados para esta medida de seguridad.

- Para evitar un choque eléctrico, use solo cables de extensión adecuados para uso en exteriores, tales como SW-A, SOW-A, STW-A, STOW-A, SJW-A, SJOW-A, SJTW-A ó SJTOW-A.

Antes del uso, verifique que el cable de extensión esté en buenas condiciones. Al usar un cable de extensión, asegúrese de que sea lo suficientemente fuerte para poder transportar la corriente hacia el producto. Un cable de extensión demasiado fino causará una caída de tensión en la línea, produciendo pérdida de potencia y recalentamiento.

⚠ **¡ADVERTENCIA!** ⚠

**Un choque eléctrico puede causar DAÑOS SEVEROS o MUERTE. Tenga en cuenta estas advertencias:**

- No deje que ninguna parte de la astilladora + trituradora de ramas eléctrica haga contacto con agua mientras esté funcionando. Si el artefacto se moja mientras está apagado, séquelo antes de encenderlo.
- Use solo un cable de extensión aprobado por UL, CSA o ETL y recomendado para uso en exteriores y todo tipo de clima.
- No use un cable de extensión de más de 100 pies (30 m).
- No toque el artefacto o su enchufe con las manos húmedas, o mientras esté parado sobre agua. Usar botas de hule le dará algo de protección.

**TABLA DE CABLES DE EXTENSIÓN**

Longitud de cable:	Hasta 50 pies (15 m)	+50 pies a 100 pies (+15 m a 30 m)
Calibre de alambre mínimo (AWG):	14	12

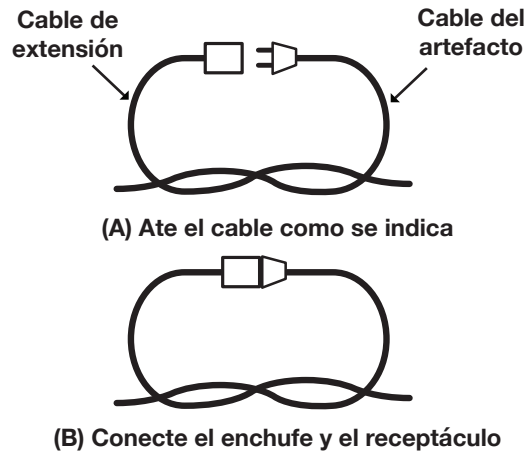
- Para reducir el riesgo de un choque eléctrico, este artefacto posee un enchufe polarizado (es decir, una pata es más ancha que la otra). Use este artefacto solo con un cable de extensión polarizado aprobado por UL, CSA o ETL y recomendado para uso en exteriores y todo tipo de clima, tal como el cable de extensión de 50 pies y calibre 14 SJTW-A de Snow Joe® + Sun Joe® con extremo iluminado (modelo PJEXT50-B). Visite [sunjoe.com](http://sunjoe.com) para comprar este cable de extensión, o pídalo llamando por teléfono al 1-866-SNOWJOE (1-866-766-9563).

El enchufe del artefacto encajará en el receptáculo del cable de extensión polarizado de una sola manera. Si el enchufe del artefacto no entra por completo dentro del receptáculo del cable de extensión, invierta las clavijas del enchufe. Si el enchufe aún no encaja, obtenga un cable de extensión polarizado correcto. Un cable de extensión polarizado requerirá el uso de un tomacorriente polarizado. El enchufe del cable de extensión encajará en el tomacorriente polarizado de la pared de una sola

manera. Si el enchufe no entra por completo dentro del tomacorriente polarizado de la pared, invierta las clavijas del enchufe. Si el enchufe aún no encaja, contacte a un electricista calificado para la instalación del tomacorriente de pared apropiado. No modifique el enchufe del artefacto, ni el receptáculo del cable de extensión ni el enchufe del cable de extensión en forma alguna.

- Para evitar que el cable del artefacto se desconecte del cable de extensión al usarlo, haga un nudo con los dos cables tal como se muestra en la Tabla 1.


**Tabla 1. Método para asegurar el cable de extensión**



- El enchufe de la herramienta eléctrica debe encajar en el tomacorriente. Nunca modifique el enchufe de ninguna manera. No use ningún enchufe adaptador con herramientas eléctricas puestas a tierra (que tengan conexión a tierra). El uso de enchufes no modificados y tomacorrientes equivalentes reducirá el riesgo de un choque eléctrico.
- Evite el contacto de su cuerpo con superficies puestas a tierra tales como tuberías, radiadores, cocinas eléctricas y refrigeradoras. Hay un mayor riesgo de choque eléctrico si su cuerpo está conectado a tierra.
- Si el cable de alimentación está dañado, debe ser reemplazado por un electricista o reparador de herramientas eléctricas.
- Cuando opere una herramienta eléctrica en exteriores, utilice un cable de extensión adecuado para uso en exteriores. Usar un cable adecuado para exteriores reduce el riesgo de choques eléctricos.
- Si operar una herramienta eléctrica en una ubicación mojada es inevitable, utilice una fuente de alimentación protegida por un Dispositivo de Corriente Residual (RCD por sus siglas en inglés). El uso de un RCD reduce el riesgo de un choque eléctrico.

10. Haga que su herramienta sea reparada por un electricista o en un centro de servicio calificado. Esta herramienta eléctrica cumple con los requisitos de seguridad relevantes. Para evitar peligros, los artefactos eléctricos deben ser reparados solo por personal calificado usando partes de repuesto originales, de otro modo puede haber daños considerables para el usuario.

## Artefactos de doble aislamiento

En un artefacto de doble aislamiento se proporcionan dos sistemas de aislamiento en lugar de una conexión a tierra. Un artefacto de doble aislamiento no posee conexión a tierra, y no debe agregársele ninguna. La reparación de un artefacto de doble aislamiento requiere sumo cuidado y conocimiento del sistema, y solo debe ser realizada por personal técnico calificado en un centro de servicio autorizado por Snow Joe® + Sun Joe®. Las partes de reemplazo de un artefacto de doble aislamiento deben ser idénticas a las partes originales. Un artefacto de doble aislamiento está marcado con las frases “Double Insulation” (“doblemente aislado”) o “Double Insulated” (“doble aislamiento”). El símbolo  (un cuadrado dentro de otro) puede también estar marcado en el artefacto.











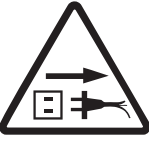


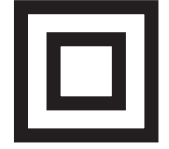
**DOBLE AISLAMIENTO: NO SE REQUIERE CONEXIÓN A TIERRA. AL REPARAR, USE SOLO PARTES REPUESTO IDÉNTICAS.**

Esta astilladora + trituradora de ramas eléctrica tiene doble aislamiento y elimina la necesidad de un sistema separado de conexión a tierra. Use solo partes de repuesto idénticas. Lea las instrucciones antes de reparar artefactos de doble aislamiento. Use esta astilladora + trituradora de ramas eléctrica solo como se describe en este manual.



# Símbolos de seguridad

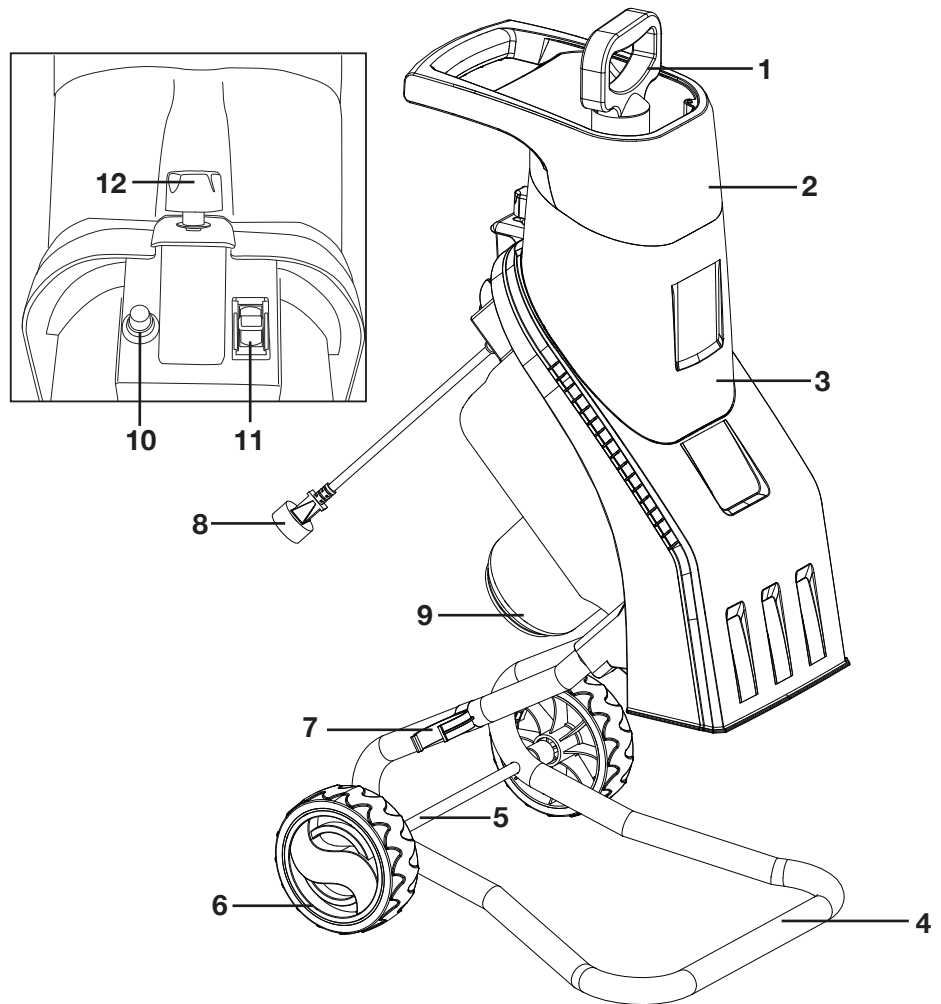
La siguiente tabla muestra y describe los símbolos de seguridad que pueden aparecer en este producto. Lea, comprenda y siga todas las instrucciones relacionadas a la unidad antes de intentar ensamblarla y operarla.

Símbolo	Descripción	Símbolo	Descripción
	<b>LEA EL(LOS) MANUAL(ES) DEL OPERADOR:</b> lea, comprenda y siga todas las instrucciones en el(los) manual(es) antes de intentar ensamblar y operar la unidad.		<b>ALERTA DE SEGURIDAD:</b> indica una precaución, advertencia o peligro.
	<b>¡ADVERTENCIA!</b> No exponga la unidad a la lluvia o a condiciones húmedas.		<b>USE PROTECCIÓN OCULAR Y AUDITIVA:</b> use protectores auditivos y gafas protectoras para evitar lesiones.
	Utilice guantes protectores al usar la máquina y al manipular desechos.		Utilice calzado protector al usar la máquina y al manipular desechos.
	<b>¡PELIGRO! CUCHILLAS GIRATORIAS:</b> mantenga las manos y pies lejos de las aberturas cuando la unidad esté funcionando.		<b>¡APÁGUELA!</b> Desconecte el enchufe del tomacorriente antes de limpiar o llevar a cabo rutinas de mantenimiento.
	<b>¡APÁGUELA!</b> Retire el enchufe del tomacorriente inmediatamente si el cable está cortado o dañado.		Mantenga a los transeúntes a una distancia segura del área de trabajo.
	Los objetos arrojados y la cuchilla giratoria pueden causar lesiones severas.		Doble aislamiento.

# Conozca su astilladora + trituradora de ramas eléctrica

Lea detenidamente el manual del propietario y las instrucciones de seguridad antes de operar la astilladora + trituradora de ramas eléctrica. Compare la ilustración debajo con la astilladora + trituradora de ramas eléctrica para familiarizarse con la ubicación de los diversos controles y ajustes. Guarde este manual para futuras referencias.

1. Paleta
2. Tolva
3. Cuerpo principal
4. Ensamblado de soporte de astilladora + trituradora de ramas eléctrica
5. Eje de rueda
6. Rueda
7. Sujetador de paleta
8. Cable del artefacto
9. Motor
10. Botón de reinicio
11. Interruptor de seguridad desmontable
12. Perilla de trabado de tolva



## Datos técnicos

Voltaje nominal .....	120 V ~ 60 Hz	Tamaño de rueda .....	6 plg (15.2 cm)
Motor .....	Eléctrico	Índice de reducción .....	17:1
Amperaje .....	15 A	Dimensiones de tolva .....	2 plg x 5 plg (5.1 cm x 12.7 cm)
Alimentación de triturables .....	Manual	Peso neto .....	25.6 lb (11.6 kg)
Velocidad sin carga .....	4,100 ± 10% RPM		
Diámetro de corte .....	1.57 plg (4 cm)		

# Desembalaje

## Contenido del paquete

- Cuerpo principal de la astilladora + trituradora de ramas eléctrica con tolva
- Ensamblado de soporte de astilladora + trituradora de ramas eléctrica
- Sujetador de paleta
- Paleta
- Eje de rueda con hardware
- Ruedas (x2)
- Arandelas y tornillos para ensamblado de soporte de astilladora + trituradora de ramas eléctrica (x2)
- Llave
- Llave hexagonal
- Manual con tarjeta de registro

1. Retire cuidadosamente la astilladora + trituradora de ramas eléctrica y compruebe que todos los artículos anteriores estén suministrados.
2. Inspeccione cuidadosamente el producto para asegurarse de que no haya ocurrido ningún daño o ruptura durante el transporte. Si alguna parte está dañada o extraviada, NO DEVUELVA la unidad a la tienda. Llame al centro de servicio al cliente Snow Joe® + Sun Joe® al 1-866-SNOWJOE (1-866-766-9563).

**NOTA:** no se deshaga de la caja de transporte ni del material de embalaje hasta que usted esté listo para usar la astilladora + trituradora de ramas eléctrica. El empaquetado está hecho de materiales reciclables. Deshágase apropiadamente de estos materiales según los reglamentos locales, o guarde el empaquetado para un almacenamiento del producto a largo plazo.

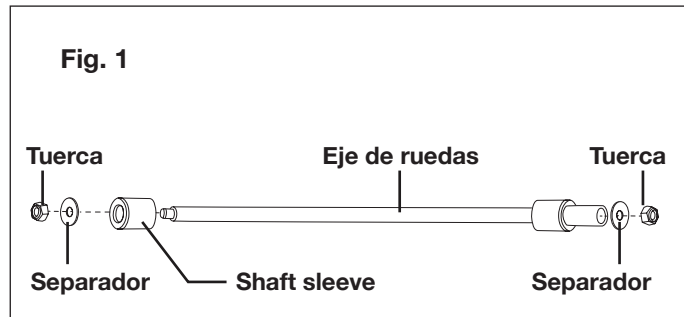
**¡IMPORTANTE!** El equipo y los materiales de embalaje no son juguetes. No deje que los niños jueguen con bolsas plásticas, láminas o partes pequeñas. ¡Estos objetos pueden ser tragados y representan un riesgo de asfixia!

## Ensamblado

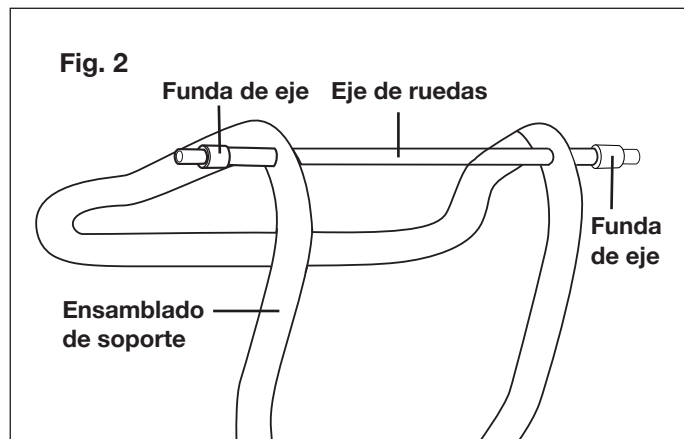
### Colocación de ruedas

**NOTA:** el hardware para las ruedas ya está ensamblado en el eje.

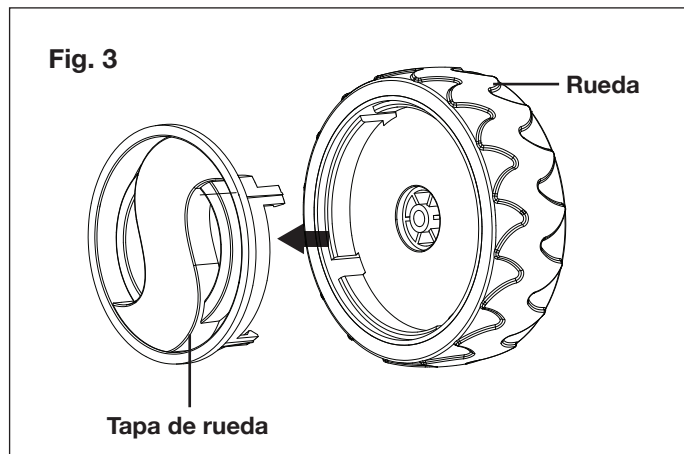
1. Retire todos los separadores y tuercas de rueda en el eje de ruedas, y retire la funda de eje y cubierta de soporte en un lado del eje (Fig. 1).



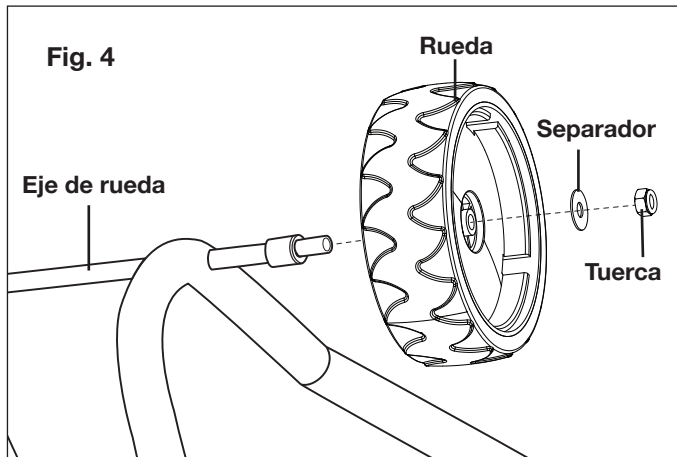
2. Inserte el eje de ruedas en el ensamblado de soporte de la astilladora + trituradora de ramas eléctrica, y re-ensamble la funda de eje y cubierta de soporte (Fig. 2).



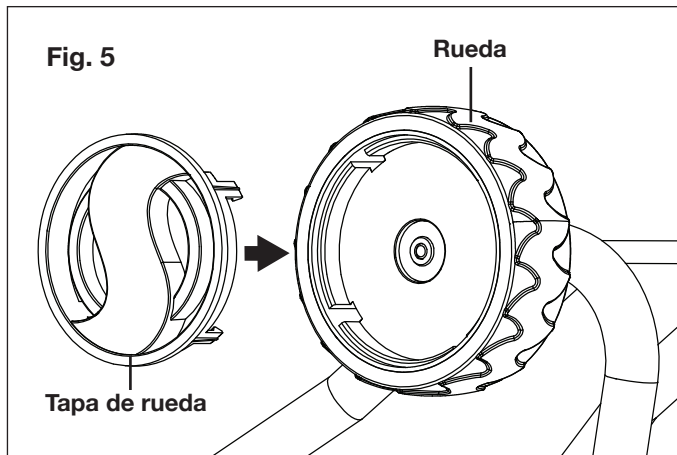
3. Retire la tapa de rueda (Fig. 3).



4. Ensamble la rueda en el extremo del eje, colocándola con el separador y la tuerca (Fig. 4).



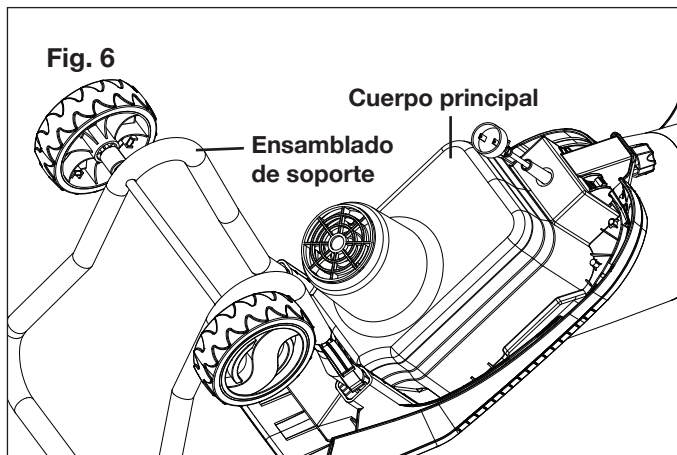
5. Presione la tapa de la rueda en la rueda para cubrir el extremo del eje. Usted quizás necesite un martillo para asentar las ruedas de forma segura sobre los ejes. Puede haber un espacio entre la rueda y la tapa de la rueda. No es necesario presionarla hasta el fondo (Fig. 5).



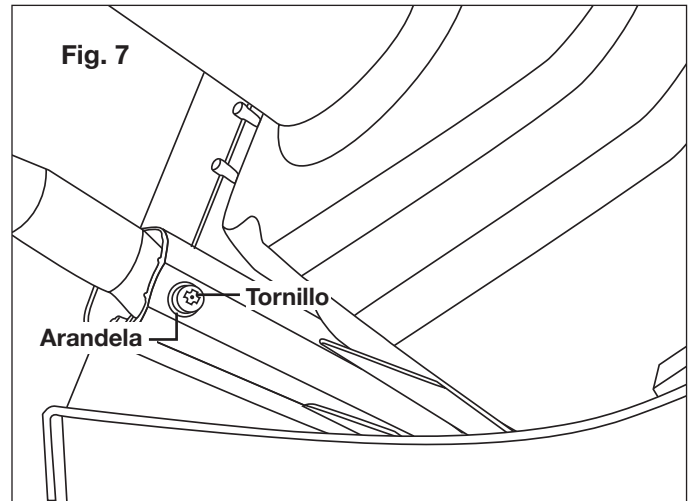
6. Repita los pasos 2, 3 y 4 para ensamblar la otra rueda.

### Colocación del ensamblado de soporte

1. Voltee el cuerpo de la astilladora + trituradora de ramas eléctrica e inserte los dos extremos del ensamblado de soporte en la carcasa (Fig. 6).

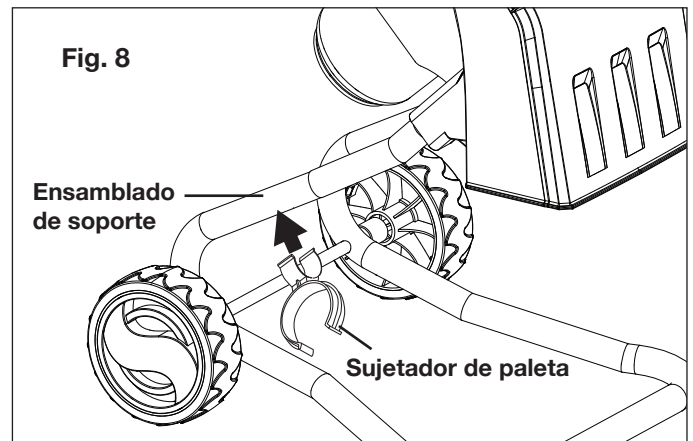


2. Alinee los orificios en la carcasa principal y en el soporte, inserte la arandela en el tornillo de cada lado, e instale el soporte (Fig. 7).

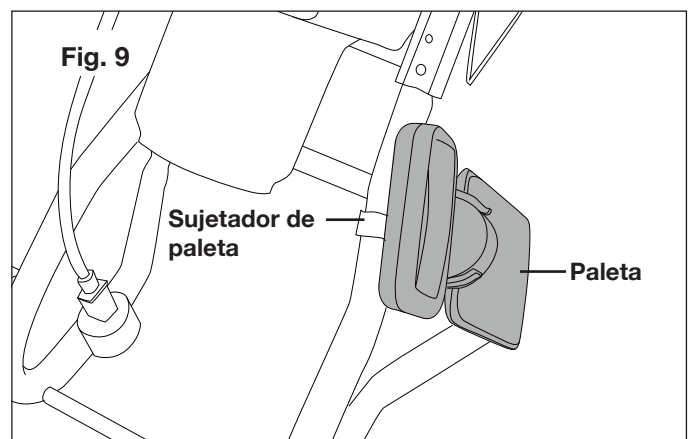


### Colocación del sujetador de paleta y paleta

1. Ponga la unidad en posición recta y enganche el sujetador de paleta en el ensamblado de soporte (Fig. 8).



2. Enganche la paleta al sujetador de paleta (Fig. 9).



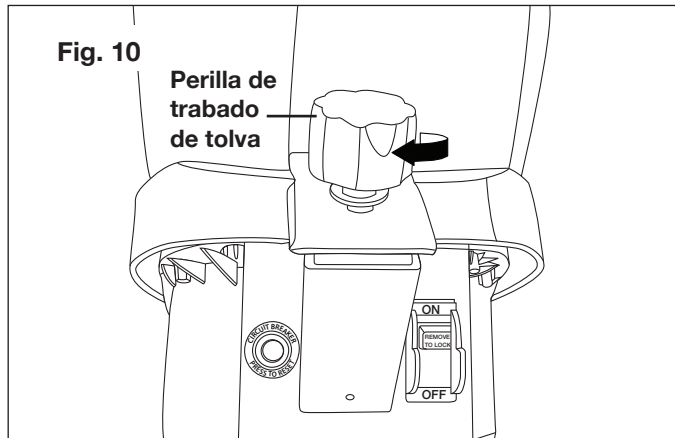
**NOTA:** asegúrese de colocar la paleta en el sujetador de paleta cada vez que la vaya a usar.

# Operación

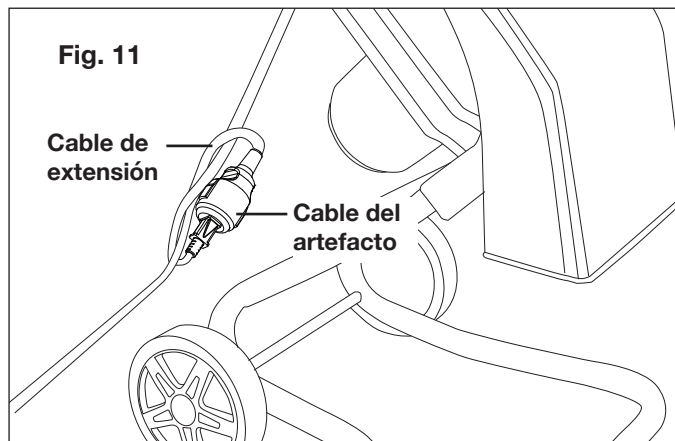
## Arranque + parada

**⚠ ¡ADVERTENCIA!** Antes de encender la máquina, asegúrese que la entrada de alimentación esté vacía.

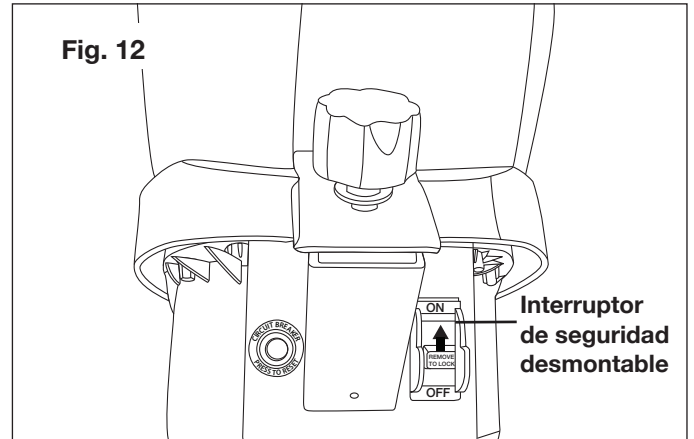
**⚠ ¡ADVERTENCIA!** La astilladora + trituradora de ramas eléctrica no funcionará si la tolva está abierta o no está cerrada correctamente. Siempre cierre bien la tolva girando la perilla de trabado de tolva en sentido horario antes de encender la máquina (Fig. 10).



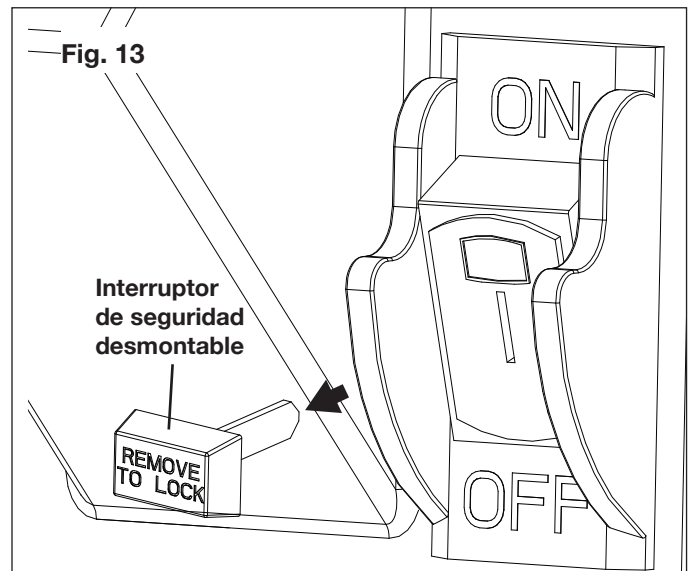
1. Verifique que el interruptor de seguridad desmontable esté en la posición OFF (“apagado”). Enchufe el cable de alimentación de la astilladora + trituradora de ramas eléctrica a un cable de extensión aprobado, haciendo un nudo con ambos cables (Fig. 11).



2. Mueva el interruptor de seguridad desmontable a la posición ON (“encendido”) para encender la astilladora + trituradora de ramas eléctrica (Fig. 12).



3. Para apagar la astilladora + trituradora de ramas eléctrica, mueva el interruptor de seguridad desmontable a la posición OFF (“apagado”). Para deshabilitar la máquina, retire el interruptor de seguridad por completo (Fig. 13).

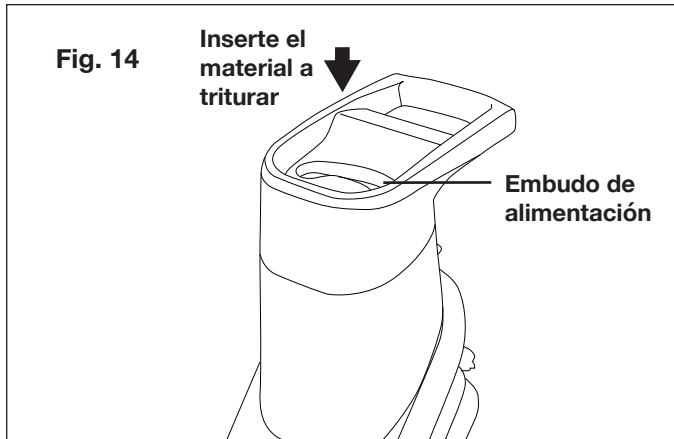


**NOTA:** como precaución de seguridad, el interruptor de seguridad desmontable puede ser retirado cuando no esté usando la astilladora + trituradora de ramas eléctrica con el fin de evitar que niños o personas no autorizadas la enciendan accidentalmente. La astilladora + trituradora de ramas eléctrica no puede ser encendida cuando el interruptor de seguridad no se encuentra instalado. Asegúrese de volver a colocar el interruptor de seguridad desmontable antes de cada operación.

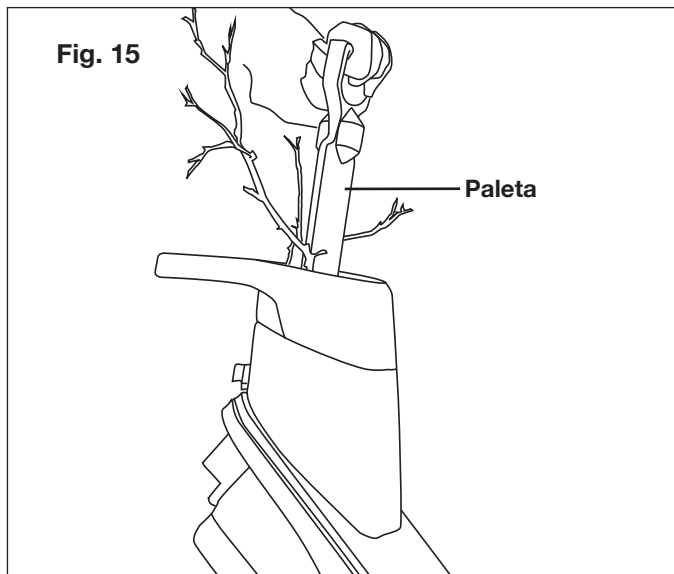
## Procedimiento básico de triturado

**⚠ ¡ADVERTENCIA!** Utilice siempre protección ocular y auditiva, y use guantes durante la operación.

1. Conecte la astilladora + trituradora de ramas eléctrica a una fuente adecuada de alimentación y encienda la unidad. La astilladora + trituradora de ramas eléctrica empezará a funcionar. Inserte el material a triturar dentro de la tolva a través del embudo de alimentación para que sea triturado (Fig. 14).



2. Use la paleta para empujar el material dentro de la tolva, si lo necesita (Fig. 15).



**⚠ ¡ADVERTENCIA!** Nunca coloque sus manos dentro de la tolva mientras la astilladora + trituradora de ramas eléctrica esté funcionando. Utilice siempre la paleta suministrada con su trituradora para empujar los materiales dentro de la tolva.

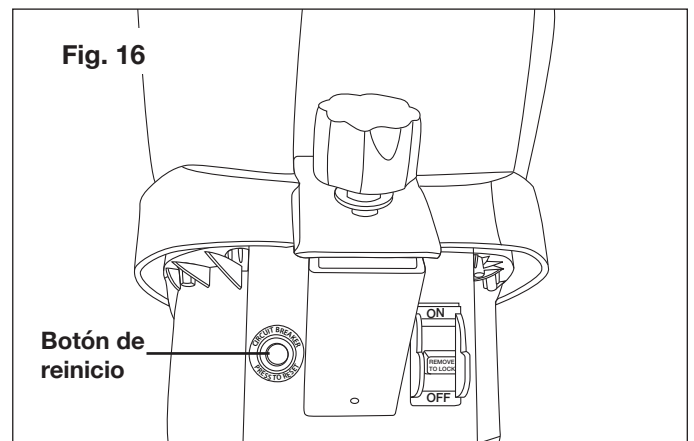
3. No inserte demasiado material para evitar la obstrucción del embudo de alimentación. Triture los desperdicios de jardín húmedos y marchitados, almacenados por varios días, de forma alterna con ramas secas. Esto evitará que las cuchillas de corte se atasquen. Las ramas con hojas deben haber sido trituradas por completo antes de que se inserte nuevo material. Asegúrese de que el material triturado pueda caer libremente a través el conducto de salida.
4. Sujete las ramas mientras las introduzca a la astilladora + trituradora de ramas eléctrica hasta que sean jaladas de forma automática.
5. Manténgase a la misma velocidad de la astilladora + trituradora de ramas eléctrica. No la sobrecargue.

6. Para proteger a la astilladora + trituradora de ramas eléctrica contra obstrucciones, triture desperdicios marchitados de jardín que hayan sido dejados a secar por algunos días y triture ramitas delgadas de forma alterna con ramas.
7. Antes de triturar raíces, retíreles la tierra y piedras que tengan adheridas.
8. No triture materiales suaves y húmedos como desperdicios de cocina. Llévelos directamente al compostaje.
9. Conserve unas cuantas ramas secas para el final, ya que ayudarán a limpiar la astilladora + trituradora de ramas eléctrica.
10. Solo apague la astilladora + trituradora de ramas eléctrica después de que todo el material a ser triturado haya pasado a través del conducto de descarga. De otro modo los conductos de descarga pueden obstruirse cuando la astilladora + trituradora de ramas eléctrica se vuelva a encender.

## Protección contra sobrecarga

Su astilladora + trituradora de ramas eléctrica ha sido diseñada con un sistema de protección contra sobrecargas. Si la astilladora + trituradora de ramas eléctrica se encuentra obstruida durante su funcionamiento, la protección contra sobrecargas interrumpirá automáticamente la alimentación para proteger a su astilladora + trituradora de ramas eléctrica. Espere al menos un minuto antes de reiniciar la unidad si la alimentación ha sido cortada.

1. Para reiniciar la astilladora + trituradora de ramas eléctrica, presione primero el botón de reinicio (Fig. 16).



2. Luego, mueva el interruptor de seguridad desmontable a la posición ON ("encendido") para reiniciar la astilladora + trituradora de ramas eléctrica (Fig. 12).

## Cuidado y mantenimiento

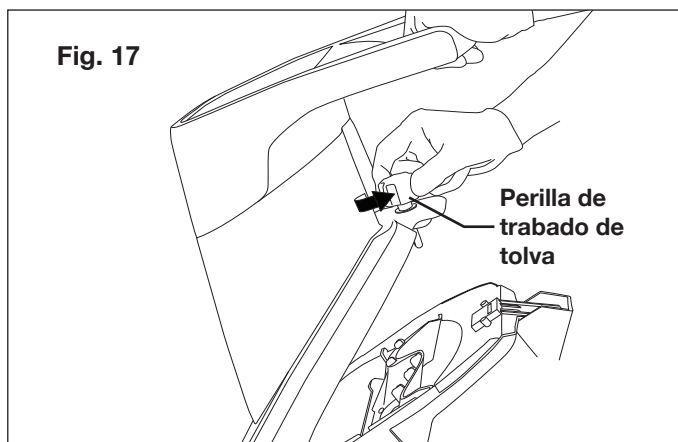
**⚠ ¡ATENCIÓN!** Antes de llevar a cabo cualquier tarea de limpieza o mantenimiento, desconecte la unidad de la fuente de alimentación.



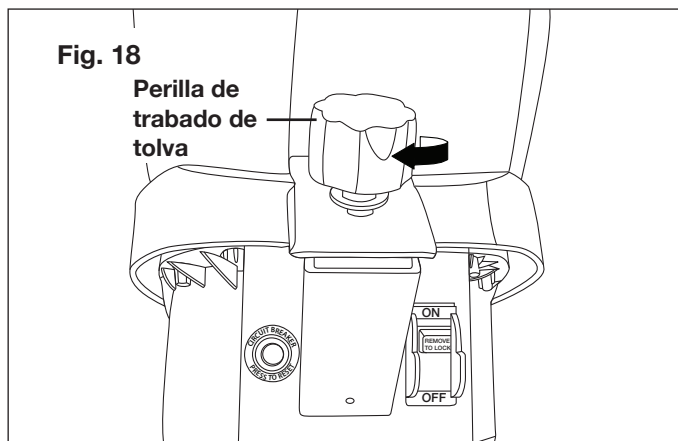
**⚠ ¡ADVERTENCIA!** Use siempre guantes durante la limpieza y el mantenimiento.

## Limpieza

1. Utilice únicamente un paño húmedo y tibio y un cepillo suave para limpiar su astilladora + trituradora de ramas eléctrica.
2. Nunca rocíe agua en la astilladora + trituradora de ramas eléctrica, ni la lave con agua. No use detergentes o solventes ya que pueden causar daños irreparables a su astilladora + trituradora de ramas eléctrica.
3. Asegúrese de que las ranuras de ventilación estén siempre limpias y libres de residuos.
4. Abra la tolva para limpiar el interior de la unidad. Destornille la perilla de trabado de tolva en sentido antihorario y retire la tolva (Fig. 17).



5. Limpie las cuchillas cortadoras y el área de descarga. Retire los palos de ramas y objetos que puedan atascar las cuchillas. Inspeccione las cuchillas en busca de daños.
6. Luego de limpiar el interior de la astilladora + trituradora de ramas eléctrica, vuelva a colocar la tolva y ciérrala con la perilla de trabado girándola en sentido horario (Fig. 18).



## Reemplazo de cuchilla de corte

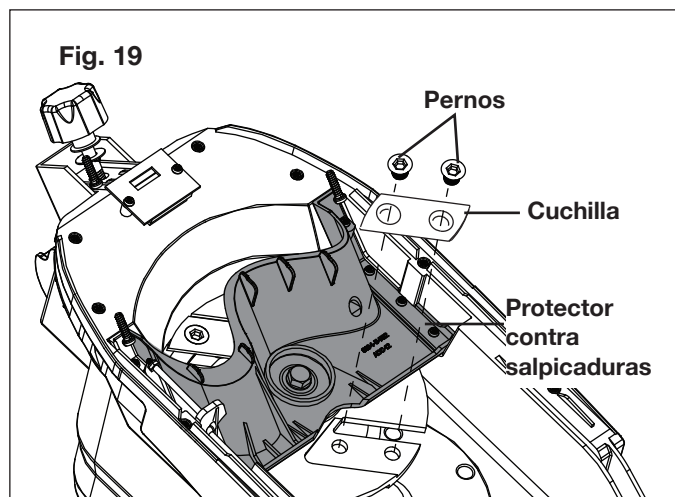
La astilladora + trituradora de ramas eléctrica tiene dos cuchillas reversibles que están conectadas mediante dos pernos cada una a una placa giratoria. Antes de cualquier mantenimiento o limpieza a las cuchillas, siempre apague la unidad y desconecte el enchufe del tomacorriente.

**⚠ ¡ADVERTENCIA!** Asegúrese de usar guantes protectores al manipular las cuchillas.

**IMPORTANTE:** use solo partes de repuesto originales especificadas para esta astilladora + trituradora de ramas eléctrica.

Usted puede comprar una cuchilla de repuesto (modelo CJ601E-RBLD) y otras partes de repuesto originales ordenando en línea en [sunjoe.com](http://sunjoe.com) o por teléfono comunicándose con la central de servicio al cliente Snow Joe® + Sun Joe® llamando al 1-866-SNOWJOE (1-866-766-9563). El uso de partes que no cumplan con las especificaciones del equipo original puede provocar un funcionamiento incorrecto de la astilladora + trituradora de ramas eléctrica, comprometer la seguridad del operador, e invalidar la garantía del fabricante.

1. Detenga el motor y desenchufe la unidad de la fuente de alimentación.
2. Destornille la perilla de trabado de tolva en sentido antihorario y retire la tolva (Fig. 17).
3. Mueva el cabezal de corte pasado el protector contra salpicaduras, de manera que los pernos de la cuchilla puedan ser retirados. Asegure el cabezal de corte insertando una vara (como un destornillador) o un trapo entre el cabezal de corte y el cuerpo. Destornille los pernos de la cuchilla usando la llave hexagonal suministrada, y retire la cuchilla (Fig. 19).
4. Invierta la dirección de la cuchilla original o instale una nueva. Alinee las ranuras de la cuchilla con las ranuras en el cabezal de corte. Vuelva a colocar los pernos y apriételos con la llave hexagonal suministrada (Fig. 19).



5. Repita los pasos 3 y 4 para reemplazar la otra cuchilla.
6. Vuelva a colocar la tolva. Apriete la perilla de trabado de tolva girándola en sentido horario.

## Almacenamiento

Siga los pasos a continuación con el fin de preparar la astilladora + trituradora de ramas eléctrica para su almacenamiento:

1. Desconecte la fuente de alimentación de la astilladora + trituradora de ramas eléctrica.
2. Limpie la astilladora + trituradora de ramas eléctrica con un paño húmedo o cepillo de mano.
3. Inspeccione cuidadosamente la astilladora + trituradora de ramas eléctrica para detectar partes gastadas, sueltas o dañadas. Verifique las conexiones y tornillos, ajustándolos de ser necesario. Preste especial atención a la cuchilla y reemplácela si presenta señales de desgaste. Consulte la sección Cuidado + mantenimiento.
4. Guarde la astilladora + trituradora de ramas eléctrica en interiores en un área seca, limpia y fría lejos del alcance de los niños. No guarde la unidad cerca de materiales corrosivos tales como fertilizantes y sal de roca.
5. Limpie el cable de extensión para quitar cualquier sustancia extraña como grasa o manchas. Reemplace el cable de extensión inmediatamente si es cortado o dañado en cualquier forma.
6. No cubra la astilladora + trituradora de ramas eléctrica con una cubierta sólida de plástico. Las cubiertas de plástico atrapan humedad alrededor de la astilladora + trituradora de ramas eléctrica, la cual puede corroerse.

## Servicio y soporte

Si su astilladora + trituradora de ramas eléctrica Sun Joe® requiere servicio o mantenimiento, comuníquese con la central de servicio al cliente Snow Joe® + Sun Joe® llamando al 1-866-SNOWJOE (1-866-766-9563).

## Modelo y número de serie

Al contactar a la empresa o al ordenar partes de repuesto, usted necesitará proveer el modelo y el número de serie de su producto. Éstos se encuentran en la etiqueta pegada a la carcasa o mango de su astilladora + trituradora de ramas eléctrica. Copie estos números en el espacio proporcionado a continuación.

Registre los siguientes números que se encuentran en la carcasa o mango de su nuevo producto:																				
N° de modelo:																				
C	J	6	0	2	E															
N° de serie:																				

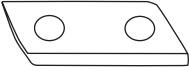
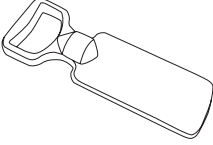
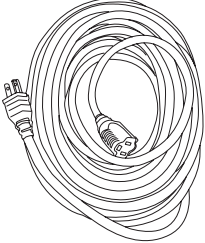
## Solución de problemas

Problema	Causa posible	Solución
Motor que no funciona	<ul style="list-style-type: none"> <li>• Falla eléctrica/unidad no enchufada en tomacorriente activo.</li> <li>• Se ha activado la protección contra sobrecargas.</li> <li>• La tolva está abierta.</li> </ul>	<ul style="list-style-type: none"> <li>• Verifique que la unidad esté enchufada en un tomacorriente activo. Asegúrese de que el cable de extensión no esté dañado.</li> <li>• Retire cualquier viruta y presione el botón de reinicio. Espere un minuto antes de presionar el interruptor de encendido/apagado para volver a encender la unidad.</li> <li>• Compruebe que la tolva esté asegurada y que la perilla de trabado de tolva esté apretada.</li> </ul>
El material a ser astillado no está siendo jalado	<ul style="list-style-type: none"> <li>• El material está atascado en la entrada de alimentación.</li> <li>• La cuchilla de corte está bloqueada.</li> <li>• El conducto de descarga está bloqueado.</li> </ul>	<ul style="list-style-type: none"> <li>• Examine la cuchilla de corte y retire todo el material bloqueado. Cierre la tolva.</li> <li>• Desconecte la fuente de alimentación y abra la tolva. Abra la cubierta de la cuchilla. Retire el material atascado y cierre la cubierta de las cuchillas y la tolva.</li> <li>• Desconecte la fuente de alimentación y abra la tolva. Abra la placa del conducto de descarga para retirar el material atascado. Cierre la placa y la tolva.</li> </ul>
Las cuchillas cortan de forma ineficiente	<ul style="list-style-type: none"> <li>• Las cuchillas están gastadas.</li> </ul>	<ul style="list-style-type: none"> <li>• Invierta las cuchillas o reemplácelas con nuevas.</li> </ul>

Solo un especialista de la empresa puede ser capaz de corregir fallas que no puedan ser corregidas con la ayuda de esta tabla. Comuníquese con la central de servicio al cliente Snow Joe® + Sun Joe® llamando al 1-866-SNOWJOE (1-866-766-9563).

## Accesorios opcionales

**⚠ ¡ADVERTENCIA!** USE SIEMPRE solo partes de repuesto y accesorios Snow Joe® + Sun Joe®. Nunca use partes de repuesto o accesorios que no estén destinados para su uso con esta astilladora + trituradora de ramas eléctrica. Comuníquese con Snow Joe® + Sun Joe® si tiene dudas sobre si es seguro usar una parte de repuesto o accesorio en particular con su astilladora + trituradora de ramas eléctrica. El uso de cualquier otro accesorio o parte puede ser peligroso y puede causar lesiones personales o daños mecánicos.

Accesorio	Descripción	Modelo
<p>①</p> 	<p>Cuchilla de repuesto para astilladora + trituradora de ramas eléctrica Sun Joe® CJ601E</p>	<p>CJ601E-RBLD</p>
<p>②</p> 	<p>Paleta para astilladora + trituradora de ramas eléctrica Sun Joe® CJ601E</p>	<p>CJ601E-1</p>
<p>③</p> 	<p>Cable de extensión de 50 pies y calibre 14 Snow Joe® + Sun Joe® SJTW-A con extremo iluminado</p>	<p>PJEXT50-B</p>

**NOTA:** los accesorios están sujetos a cambios sin obligación alguna por parte de Snow Joe® + Sun Joe® de notificar sobre dichos cambios. Los accesorios pueden ser pedidos en línea en [sunjoe.com](http://sunjoe.com) o vía telefónica llamando al centro de servicio al cliente Snow Joe® + Sun Joe® al 1-866-SNOWJOE (1-866-766-9563).



## LA PROMESA DE SNOW JOE® + SUN JOE® AL CLIENTE

**POR SOBRE TODO**, en Snow Joe, LLC (“Snow Joe”) estamos dedicados a usted, nuestro cliente. Nos esforzamos por hacer que su experiencia sea lo más placentera posible. Desafortunadamente, hay veces en que un producto Snow Joe®, Sun Joe®, o Aqua Joe® (el “Producto”) no funciona o sufre un desperfecto bajo condiciones normales de operación. Creemos que es importante que usted sepa que puede confiar en nosotros. Es por eso que tenemos esta Garantía Limitada (la “Garantía”) para nuestros Productos.

### NUESTRA GARANTÍA:

Snow Joe garantiza que sus Productos motorizados y no motorizados, nuevos y genuinos, están libres de defectos materiales o de mano de obra al ser usados en tareas domésticas normales durante un periodo de dos (2) años a partir de la fecha de compra por parte del comprador original y usuario final, cuando este último los compra a través de Snow Joe o un vendedor autorizado por Snow Joe y ha obtenido un comprobante de compra. Ya que Snow Joe no puede controlar la calidad de sus Productos vendidos por vendedores no autorizados, a menos que la ley lo prohíba esta Garantía no cubre Productos adquiridos a través de vendedores no autorizados. Si su Producto no funciona, o hay un problema con una parte específica que está cubierta por los términos de esta Garantía, Snow Joe elegirá entre: (1) enviarle una parte de repuesto gratuita; (2) reemplazar el Producto con uno nuevo o similar sin costo alguno; o (3) reparar el Producto. ¡Un excelente soporte!

**Esta Garantía le da derechos legales específicos, y usted puede también tener otros derechos según el Estado.**

### REGISTRO DEL PRODUCTO:

Snow Joe le recomienda enfáticamente registrar su Producto. Usted puede registrar su Producto en línea visitando [snowjoe.com/register](http://snowjoe.com/register), imprimiendo y enviando por correo una tarjeta de registro disponible en línea en nuestro sitio Web, llamando a nuestra central de servicio al cliente al **1-866-SNOWJOE (1-866-766-9563)**, o enviándonos un e-mail a [help@snowjoe.com](mailto:help@snowjoe.com). Si usted no registra su Producto sus derechos de garantía no disminuirán; sin embargo, registrar su Producto permitirá que Snow Joe le pueda atender mejor si usted tiene alguna necesidad como cliente.

### ¿QUIÉN PUEDE SOLICITAR COBERTURA DE GARANTÍA LIMITADA?

Esta Garantía es otorgada por Snow Joe al comprador original y propietario original del Producto.

### ¿QUÉ NO ESTÁ CUBIERTO?

Esta Garantía no se aplica si el Producto ha sido usado de forma comercial o en aplicaciones no domésticas o de alquiler. Esta Garantía tampoco se aplica si el Producto fue adquirido desde un vendedor no autorizado. Esta garantía tampoco cubre cambios cosméticos que no afecten el funcionamiento del Producto. Las partes desgastables como correas, brocas y cuchillas no están cubiertas por esta Garantía, y pueden ser compradas visitando [snowjoe.com](http://snowjoe.com) o llamando al **1-866-SNOWJOE (1-866-766-9563)**.



## IMPORTANT!


### Consignes de sécurité

### Tous les utilisateurs doivent lire ces instructions avant d'utiliser la machine

Suivez toujours ces consignes de sécurité. Ne pas s'y conformer peut entraîner de graves blessures pouvant même être fatales.

### AVERTISSEMENTS d'ordre général en matière de sécurité!

Vous-mêmes, ainsi que tout autre utilisateur de cette broyeuse-déchiqueteuse, devez lire, comprendre et observer ces instructions dans leur intégralité. Le non-respect de ces consignes de sécurité pourrait être à l'origine d'une **ÉLECTROCUTION**, d'un **INCENDIE** et/ou de **GRAVES BLESSURES**.

Prenez note du symbole d'alerte de sécurité personnelle  utilisé dans ce manuel pour attirer votre attention sur un **AVERTISSEMENT** s'appliquant à une consigne d'utilisation particulière. Ce symbole indique que cette utilisation nécessite d'être particulièrement **VIGILANT**, de **PRENDRE DES PRÉCAUTIONS** et d'être **CONSCIENT DES DANGERS**.

**⚠️ AVERTISSEMENT!** Porter des protecteurs d'oreilles pendant l'utilisation. Dans certaines conditions et durées d'utilisation, le bruit produit par cette machine peut entraîner une perte d'acuité auditive.

**⚠️ AVERTISSEMENT!** Les lames rotatives peuvent vous couper. Gardez les mains et les pieds éloignés de la trémie et de la goulotte d'éjection.

Avant d'utiliser la broyeuse-déchiqueteuse, familiarisez-vous avec les commandes, spécialement la façon d'arrêter la machine en cas d'urgence. Les seules personnes qui devraient utiliser la broyeuse-déchiqueteuse sont celles qui comprennent parfaitement ces instructions et qui savent comment utiliser la machine. Les enfants ne devraient jamais être autorisés à avoir accès à la broyeuse-déchiqueteuse.

Conservez ce manuel pour y faire éventuellement référence dans le futur et relisez-le au début de chaque saison d'utilisation de la machine.

## Sécurité générale

- 1. Éviter les endroits dangereux** – N'utilisez pas la broyeuse-déchiqueteuse sous la pluie ou dans des endroits trempés ou humides. N'utilisez pas la machine quand il y a du gaz dans l'air, quand l'atmosphère est explosive ou près de liquides inflammables ou combustibles. Le moteur de ce type de machine produit des étincelles qui peuvent enflammer des vapeurs.
- 2. S'habiller en conséquence** – Ne portez ni vêtements amples ni bijoux, ceux-ci pouvant se prendre dans les pièces mobiles. Les cheveux longs doivent être ramassés sous un couvre-chef. Il est recommandé de porter des gants en caoutchouc et des chaussures suffisamment montantes et antidérapantes pour tout travail à l'extérieur.
- 3. Porter des lunettes de protection** – Portez également un masque protecteur contre la poussière, des chaussures de protection, des vêtements serrés près du corps, des gants de protection, des protecteurs d'oreilles et une protection de la tête.
- 4. Rallonges électriques** – Pour éviter de vous électrocuter, utilisez uniquement une rallonge prévue pour l'extérieur.
- 5. Débrancher la machine** – Débranchez la broyeuse-déchiqueteuse quand vous ne l'utilisez pas, avant d'intervenir dessus, quand vous changez d'accessoire ou quand vous effectuez toute autre tâche d'entretien.
- 6. Ne pas utiliser le cordon à mauvais escient** – Ne tirez jamais la broyeuse-déchiqueteuse par le cordon et ne tirez pas brusquement sur le cordon pour la retirer de la prise. Maintenez le cordon éloigné de la chaleur, de l'huile et des objets tranchants.
- 7. Rester vigilant** – Surveillez ce que vous faites. Faites preuve de bon sens. N'utilisez pas la broyeuse-déchiqueteuse si vous êtes fatigué, si vous avez consommé de l'alcool ou de la drogue ou si vous avez pris des médicaments.
- 8. Remiser la machine à l'intérieur, à l'arrêt complet** – Si personne ne l'utilise, la broyeuse-déchiqueteuse doit être remise à l'intérieur dans un endroit sec, surélevé ou sous clé, hors de portée des enfants.
- 9. Entretien avec soin la broyeuse-déchiqueteuse** – Pour un rendement optimal et pour réduire le risque de blessures, maintenez les tranchants bien affûtés et propres. Inspectez périodiquement la rallonge électrique et remplacez-la si elle est endommagée. Maintenez la poignée sèche, propre et exempte d'huile et de graisse. Suivez les recommandations complémentaires décrites dans la section Soins et entretien de ce manuel.



- 10. Vérifier que les pièces ne sont pas endommagées**  
– Avant de continuer à utiliser la machine, toute pièce endommagée doit être minutieusement vérifiée pour s'assurer qu'elle fonctionne correctement pour l'utilisation à laquelle elle est destinée. Vérifiez l'alignement des pièces en mouvement, l'absence de grippage des pièces en mouvement, de rupture de pièce, le montage et tout autre problème susceptible d'entraver le bon fonctionnement de la machine. Toute pièce endommagée doit être réparée ou remplacée de façon appropriée. Communiquez avec le service clientèle Snow Joe® + Sun Joe® en appelant le 1-866-SNOWJOE (1-866-766-9563) pour de l'aide.
- 11. Éclairage** – Utilisez uniquement la broyeuse-déchiquteuse à la lumière du jour ou sous un bon éclairage artificiel.
- 12. Ne pas s'arc-bouter** – Restez en permanence sur vos deux pieds pour ne pas perdre l'équilibre.
- 13. Ne jamais laisser une machine sans surveillance pendant que le moteur tourne** – Avant de quitter la zone de travail, éteignez la broyeuse-déchiquteuse et patientez jusqu'à ce qu'elle se soit complètement arrêtée.
- 14. Éviter tout démarrage accidentel** – Ne transportez pas la broyeuse-déchiquteuse en maintenant le doigt sur l'interrupteur. Avant de brancher ou de débrancher la machine, assurez-vous que l'interrupteur est sur la position d'arrêt.
- 15. Utiliser le bon outil** – N'utilisez pas cette machine pour des travaux différents de ceux pour lesquels elle est destinée.
- 16. Maintenir les enfants, les spectateurs et les animaux familiers à bonne distance** – Tous les spectateurs, notamment les animaux familiers, doivent être maintenus à une distance de sécurité de la zone de travail.

## Sécurité personnelle

1. Avant de démarrer la broyeuse-déchiquteuse, assurez-vous que l'entrée de la trémie est vide.
2. Maintenez le visage et le corps éloignés de l'ouverture.
3. Ne placez pas les mains, toute autre partie du corps ou les vêtements près de la trémie ou de la goulotte d'éjection.
4. Ne mettez jamais les mains dans la trémie pendant que le moteur de la broyeuse-déchiquteuse tourne. Pour pousser dans la trémie tout ce qui doit être broyé, utilisez toujours la palette qui est fournie avec la broyeuse-déchiquteuse.
5. N'essayez pas de forcer dans la trémie des matériaux ayant un diamètre supérieur à celui recommandé (1 1/2 po).
6. Quand vous utilisez la broyeuse-déchiquteuse, restez toujours à bonne distance de la zone d'éjection. Ne cherchez pas à atteindre le dessous de la machine tant qu'elle n'est pas complètement arrêtée.

7. Quand vous jetez des matériaux dans la broyeuse-déchiquteuse, veillez à retirer les pièces de métal, les pierres, les bouteilles, les canettes ou d'autres corps étrangers pouvant endommager les lames.
8. Si le mécanisme de coupe heurte quoi que ce soit ou si la broyeuse-déchiquteuse démarre en produisant un son inhabituel ou des vibrations, coupez le moteur et laissez la machine s'arrêter complètement. Débranchez la machine et suivez les étapes ci-dessous :
  - Vérifiez si la machine n'est pas endommagée.
  - Vérifiez qu'aucune pièce n'est desserrée et resserrez au besoin.

**⚠ AVERTISSEMENT!** Ne jamais mettre les mains dans la trémie tant que la broyeuse-déchiquteuse n'est pas complètement arrêtée et débranchée. Les lames continuent à tourner pendant quelques secondes après avoir coupé le moteur de la machine.

9. Ne laissez pas les matériaux traités s'accumuler dans la zone d'éjection; ceci pourrait empêcher la machine d'éjecter de façon appropriée et entraîner un effet de rebond des matériaux dans la trémie.

**⚠ AVERTISSEMENT!** Ne jamais mettre les mains près de la goulotte d'éjection. Toute personne ne tenant pas compte de cet avertissement s'expose à de graves blessures.

10. Si la broyeuse-déchiquteuse se bouche, coupez le moteur et débranchez la machine avant de retirer les débris. Pour éviter d'endommager la source d'alimentation électrique, maintenez-la à l'écart des débris et de toute autre accumulation de matériaux.  
N'oubliez pas que le mécanisme de démarrage sur les machines à moteur électrique actionne le mécanisme de coupe.
11. Maintenez tous les dispositifs de protection et les déflecteurs en place et en bon ordre de marche.
12. N'utilisez pas la broyeuse-déchiquteuse sur un revêtement pavé ou de gravier, les matériaux éjectés pouvant occasionner des blessures.
13. Si vous devez quitter la zone de travail, coupez le moteur de la broyeuse-déchiquteuse et débranchez-la.
14. Ne faites jamais basculer la broyeuse-déchiquteuse pendant que le moteur tourne.
15. Ne mettez jamais les mains dans la trémie tant que la broyeuse-déchiquteuse n'est pas complètement arrêtée et a été débranchée.

# Sécurité électrique

1. Des dispositifs de protection contre les défauts de terre (disjoncteurs de fuite de terre) doivent être fournis sur le(s) circuit(s) ou la(les) prise(s) utilisés pour cette broyeuse-déshiqueteuse électrique. Des prises intégrant un disjoncteur de fuite de terre sont offertes et peuvent être utilisées pour répondre à cette mesure de sécurité.
2. Pour éviter une électrocution, utilisez uniquement une rallonge électrique appropriée pour l'extérieur, par exemple les modèles SW-A, SOW-A, STW-A, STOW-A, SJW-A, SJOW-A, SJTW-A ou SJTOW-A.

Avant son utilisation, vérifiez que la rallonge électrique est en bon état. Si vous utilisez une rallonge électrique, assurez-vous qu'elle soit de calibre suffisant pour conduire le courant vers l'outil. Une rallonge sous-dimensionnée provoquera une chute de tension dans les lignes, ce qui entraînera une perte de puissance et une surchauffe.

## **⚠ AVERTISSEMENT! ⚠**

**Toute électrocution peut entraîner des BLESSURES GRAVES pouvant même être FATALES. Tenir compte de ces avertissements :**

- Ne laisser aucune partie de la broyeuse-déshiqueteuse entrer en contact avec de l'eau pendant son utilisation. Si la machine se mouille lorsqu'elle n'est pas sous tension, l'essuyer avant de la redémarrer.
- Utiliser uniquement une rallonge électrique homologuée UL, CSA ou ETL, pour une utilisation à l'extérieur et tout temps.
- Ne pas utiliser de rallonge électrique d'une longueur supérieure à 30 m.
- Ne pas toucher la machine ou sa prise de courant les mains mouillées ou les pieds dans l'eau. Le port de bottes de caoutchouc offre une certaine protection.

**TABLEAU - RALLONGE ÉLECTRIQUE**

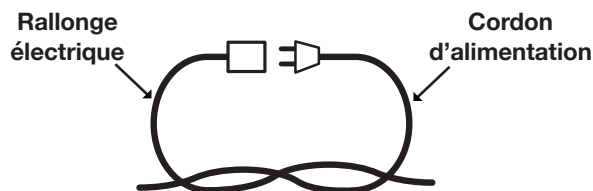
Longueur de cordon :	Jusqu'à 15 m	+15 m -30 m
Calibre min. de fil (AWG) :	14	12

3. Pour réduire le risque d'électrocution, cette machine est munie d'une fiche polarisée (c.-à-d., une lame est plus large que l'autre). Utilisez cette machine uniquement avec une rallonge électrique à fiche polarisée, homologuée UL, CSA ou ETL, recommandée pour l'extérieur et tout temps, par exemple la rallonge électrique 50 pieds de calibre 14 Snow Joe® + Sun Joe® SJTW-A dont les extrémités s'éclairent quand elle est sous tension (modèle PJEXT50-B). Veuillez vous rendre sur le site [sunjoe.com](http://sunjoe.com) pour acheter en ligne cette rallonge électrique ou, pour la commander par téléphone, appelez le 1-866-SNOWJOE (1-866-766-9563).

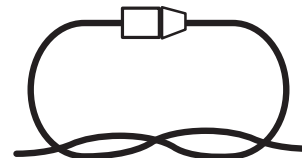
La fiche de la machine ne s'insère que d'une seule façon dans une rallonge à fiche polarisée. Si la fiche de la machine ne rentre pas complètement dans la rallonge, inversez-la. Si la fiche ne s'insère toujours pas, procurez-vous une rallonge à fiche polarisée. Une rallonge à fiche polarisée nécessite l'utilisation d'une prise murale polarisée. La fiche polarisée de la rallonge ne s'insère que d'une seule façon dans la prise murale polarisée. Si la fiche ne rentre pas complètement dans la prise murale, inversez-la. Si la fiche ne s'insère toujours pas, communiquez avec un électricien qualifié pour qu'il pose une prise adéquate. Ne modifiez en aucune façon la fiche de la machine, la prise de la rallonge ou la fiche de la rallonge.

4. Pour empêcher que le cordon de la machine se débranche de la rallonge électrique pendant son utilisation, faites un nœud avec les deux cordons comme cela est illustré Tableau 1.

**Tableau 1. Méthode d'attache de rallonge électrique**



**(A) Nouer les cordons comme sur l'illustration**




**(B) Brancher la fiche dans la prise**

5. Les fiches électriques doivent correspondre à la prise. N'apportez aucune modification, quelle qu'elle soit, à la fiche. N'utilisez pas de fiches d'adaptation avec les outils électriques mis à la terre. Des fiches non modifiées et des prises correspondantes réduiront le risque d'électrocution.
6. Évitez tout contact du corps avec la surface d'objets mis à la terre, p. ex., tuyaux, radiateurs, fourneaux de cuisine et réfrigérateurs. Il y a un risque accru d'électrocution si votre corps est relié à la terre.

7. Si le cordon d'alimentation est endommagé, il doit être remplacé par un électricien ou par un réparateur d'outils électriques.
8. Si vous utilisez un outil électrique à l'extérieur, équipez-le d'une rallonge électrique prévue pour l'extérieur. L'utilisation d'un cordon prévu pour l'extérieur réduit le risque d'électrocution.
9. S'il est inévitable d'utiliser l'outil électrique dans un endroit humide, équipez-le d'une alimentation électrique protégée par un dispositif différentiel à courant résiduel. L'utilisation d'un dispositif différentiel à courant résiduel réduit le risque d'électrocution.
10. Faites réparer votre machine par un électricien ou un centre d'entretien et de réparation agréé. Cette machine électrique est conforme aux règles de sécurité. Pour éviter tout danger, les appareils électriques doivent être réparés uniquement par du personnel qualifié utilisant des pièces de rechange d'origine; sinon, l'utilisateur s'expose à des risques considérables.

## Outils et machines à double isolation

Les outils et machines à double isolation sont dotés de deux systèmes d'isolation au lieu d'une mise à la terre. Aucune mise à la terre n'est prévue sur les outils et machines à double isolation et aucune mise à la terre ne doit être ajoutée. Toute intervention sur un outil ou une machine à double isolation exige un soin extrême et une parfaite connaissance du système et doit être effectuée uniquement par du personnel technique qualifié chez un revendeur Snow Joe® + Sun Joe® agréé. Les pièces de rechange pour un outil ou une machine à double isolation doivent être identiques aux pièces d'origine. Les indications « Double Insulation » (double isolation) ou « Double Insulated » (doublement isolé) sont marquées sur tous les outils ou machines à double isolation. Le symbole  (carré dans un carré) peut être également marqué sur l'outil ou la machine.















**DOUBLE ISOLATION : MISE À LA TERRE NON NÉCESSAIRE. POUR LES RÉPARATIONS, UTILISER UNIQUEMENT DES PIÈCES DE RECHANGE IDENTIQUES.**

Cette broyeuse-déchiqueteuse est à double isolation, éliminant ainsi la nécessité d'un système séparé de mise à la terre. Utilisez uniquement des pièces de rechange identiques. Lisez les instructions avant d'intervenir sur un outil ou une machine à double isolation. Utilisez cette broyeuse-déchiqueteuse électrique comme décrit dans ce manuel.

# Symboles de sécurité

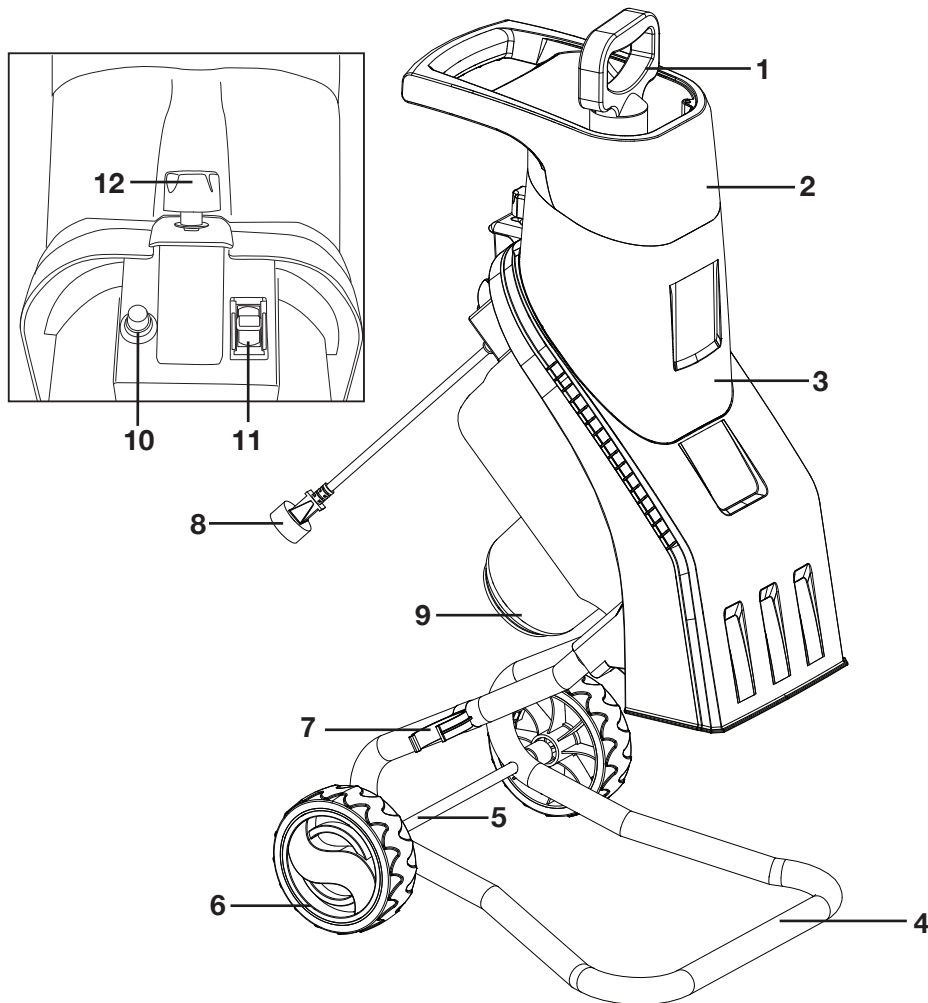
Le tableau suivant décrit et explique les symboles de sécurité pouvant être marqués sur cette machine. Lisez, comprenez et suivez toutes les instructions sur la machine avant d'essayer de procéder à son assemblage et de l'utiliser.

Symboles	Descriptions	Symboles	Descriptions
	<b>LIRE LE OU LES MANUELS D'UTILISATION</b> – Lire, comprendre et suivre toutes les consignes de sécurité du ou des manuels avant d'essayer d'assembler et d'utiliser la machine.		<b>ALERTE DE SÉCURITÉ</b> – Indique une précaution, un avertissement ou un danger.
	<b>AVERTISSEMENT!</b> Ne pas utiliser la machine sous la pluie ou par forte humidité.		<b>PORT OBLIGATOIRE DE LUNETTES DE SÉCURITÉ ET DE SERRE-TÊTE ANTIBRUIT</b> – Pour éviter de se blesser, porter des protecteurs d'oreilles et des lunettes de sécurité.
	Porter des gants de protection pour utiliser la machine et manipuler les débris.		Porter des chaussures de sécurité pour utiliser la machine et manipuler les débris.
	<b>DANGER! LAMES ROTATIVES</b> – Tenir les mains et les pieds éloignés des ouvertures quand le moteur de la broyeuse-déchiquteuse tourne.		<b>DÉBRANCHER!</b> Retirer le cordon de la prise avant tout nettoyage ou toute vérification d'entretien.
	<b>DÉBRANCHER!</b> Retirer immédiatement le cordon de la prise s'il est endommagé ou entaillé.		Maintenir les spectateurs à bonne distance de la zone de travail.
	La projection d'objets et les lames rotatives peuvent provoquer de graves blessures.		Double isolation.

# Faites mieux connaissance avec votre broyeuse-déchetuse électrique

Lisez attentivement le manuel d'utilisation et les consignes de sécurité avant d'utiliser la broyeuse-déchetuse électrique. Comparez l'illustration ci-dessous avec la broyeuse-déchetuse électrique pour vous familiariser avec l'emplacement des différents réglages et commandes. Conservez ce manuel pour pouvoir le consulter dans le futur.

- 1. Palette
- 2. Trémie
- 3. Caisson principal
- 4. Ensemble support de déchetuse
- 5. Arbre de roue
- 6. Roue
- 7. Porte-palette
- 8. Cordon d'alimentation
- 9. Moteur
- 10. Bouton de réamorçage
- 11. Interrupteur de sécurité amovible
- 12. Bouton de blocage de trémie



## Données techniques

Tension nominale .....	120 V ~ 60 Hz	Diamètre de coupe max. ....	4 cm
Moteur .....	Électrique	Taille des roues .....	15,2 cm
Puissance .....	15 A	Rapport de réduction .....	17:1
Type d'alimentation .....	Manuel	Dimensions de la trémie .....	5,1 cm x 12,7 cm
Régime à vide .....	4 100 ± 10% tr/min	Poids net .....	11,6 kg

# Déballage

## Contenu de la caisse

- Caisson principal de broyeur-déchiquteuse électrique avec trémie
- Ensemble support de broyeur-déchiquteuse électrique
- Porte-palette
- Palette
- Arbre de roue avec quincaillerie
- (2) roues
- (2) rondelles et vis d'ensemble support de déchiquteuse
- Clé
- Clé Allen
- Manuel et carte d'enregistrement

1. Retirez soigneusement la broyeur-déchiquteuse électrique de la caisse et inspectez-la pour vérifier que tous les éléments énumérés ci-dessus sont fournis.
2. Inspectez soigneusement le contenu pour vous assurer qu'aucun élément n'a été brisé ou endommagé pendant le transport. Si vous constatez que des pièces manquent ou sont endommagées, NE PAS retourner l'outil au magasin. Veuillez appeler le service clientèle Snow Joe® + Sun Joe® au 1-866-SNOWJOE (1-866-766-9563).

**REMARQUE :** ne jetez pas la caisse d'expédition et l'emballage tant que vous n'êtes pas prêt à utiliser la broyeur-déchiquteuse électrique. L'emballage est fabriqué dans des matériaux recyclables. Éliminez ces matériaux de façon appropriée et conformément à la réglementation ou conservez l'emballage pour le remisage de longue durée de l'outil.

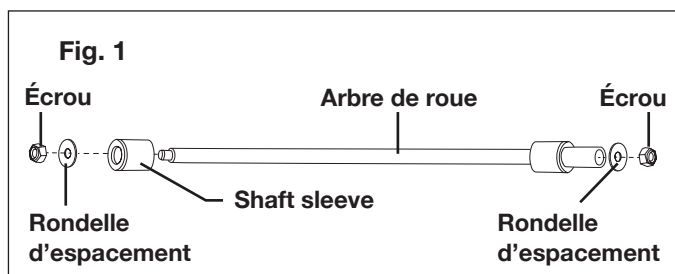
**IMPORTANT!** Le matériel et l'emballage ne sont pas des jouets. Ne laissez pas les enfants jouer avec les sacs en plastique, les feuilles métalliques ou les petites pièces. Ces éléments peuvent être avalés et présentent un danger de suffocation!

# Assemblage

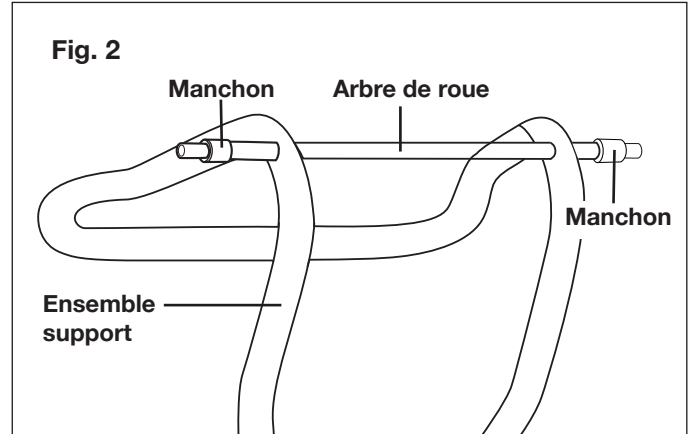
## Montage des roues

**REMARQUE :** la quincaillerie pour les roues est déjà assemblée sur l'arbre de roue.

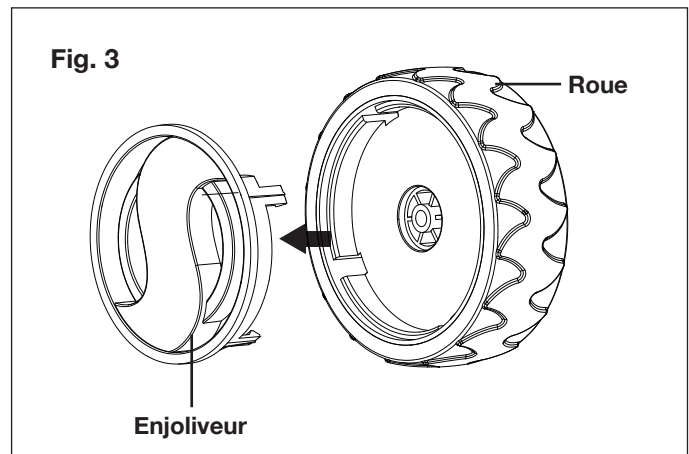
1. Retirez toutes les rondelles d'espacement et tous les écrous sur l'arbre de roue et retirez le manchon et le couvre-support d'un côté de l'arbre de roue (Fig. 1).



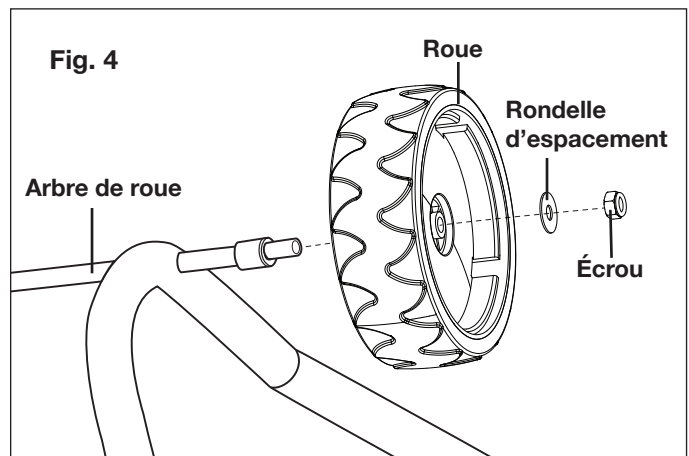
2. Insérez l'arbre de roue dans l'ensemble support et réassemblez le manchon et le couvre-support (Fig. 2).



3. Retirez l'enjoliveur de la roue (Fig. 3).

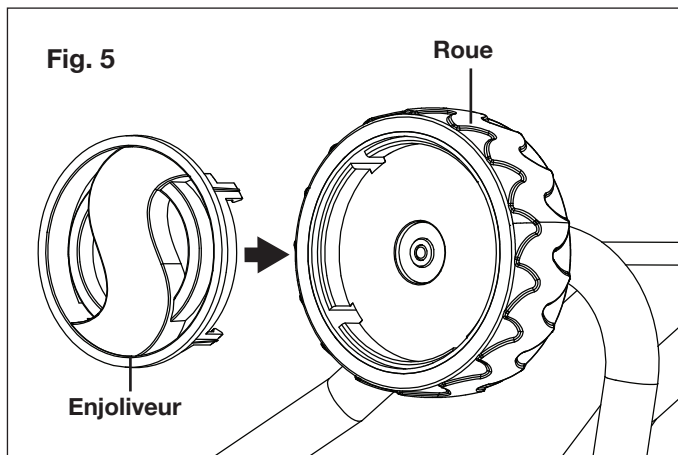


4. Assemblez la roue sur l'extrémité de l'arbre de roue, attachez-la à l'aide de la rondelle d'espacement et de l'écrou (Fig. 4).



5. Poussez l'enjoliveur dans la roue pour recouvrir l'extrémité de l'arbre. Vous pouvez utiliser un marteau pour bien le faire reposer sur l'arbre. Il peut y avoir un petit espace entre la roue et l'enjoliveur et il n'est pas nécessaire de le pousser jusqu'au fond (Fig. 5).

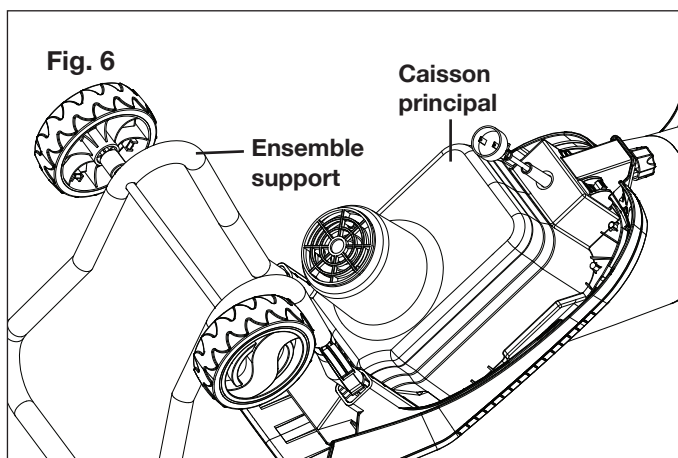




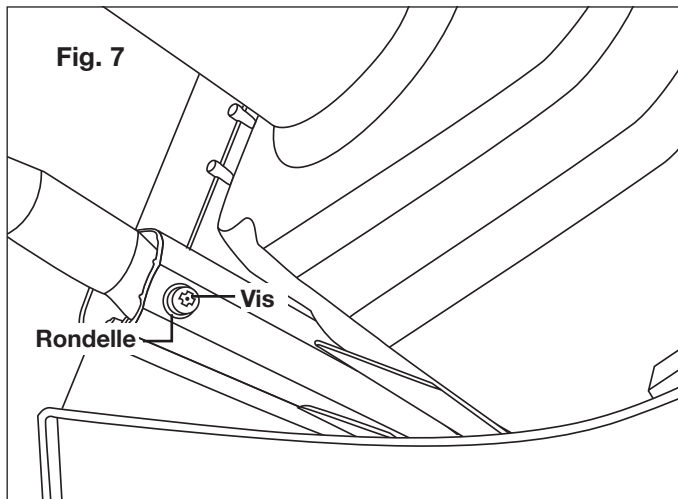
6. Répétez les étapes 2 à 4 pour assembler l'autre roue.

## Montage de l'ensemble support

1. Retournez sur lui-même le caisson principal de la broyeur-déshiqueuse, insérez les deux extrémités de l'ensemble support dans le carter (Fig. 6).

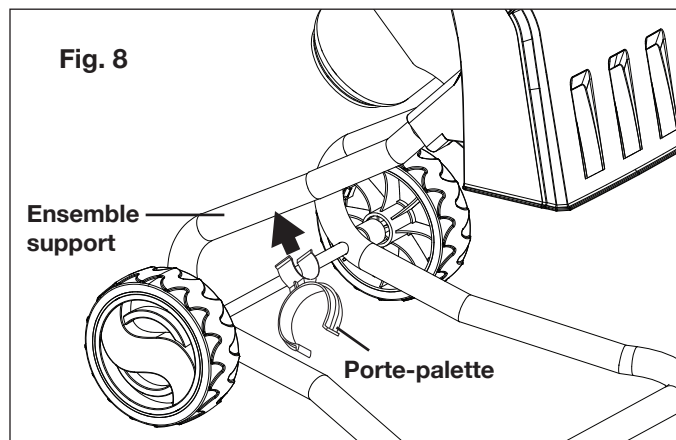


2. Alignez les trous dans le carter du caisson principal et l'ensemble support, insérez la rondelle dans la vis et vissez dans l'ensemble support, des deux côtés (Fig. 7).

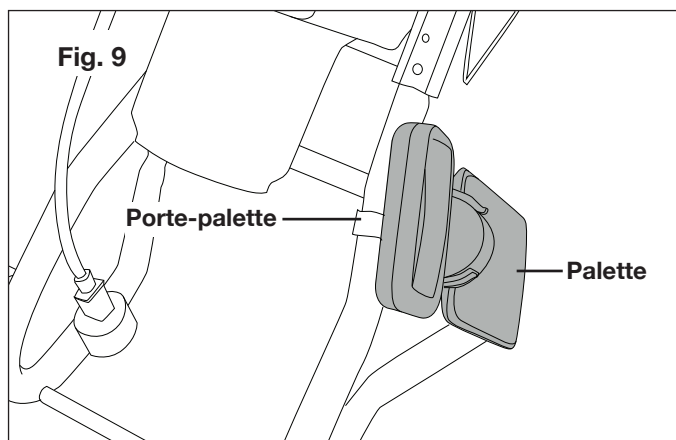


## Montage du porte-palette et de la palette

1. Mettez la machine debout et agrafez le porte-palette à l'ensemble support (Fig. 8).



2. Agrafez la palette dans le porte-palette (Fig. 9).



**REMARQUE :** assurez-vous de replacer la palette dans le porte-palette après chaque utilisation.

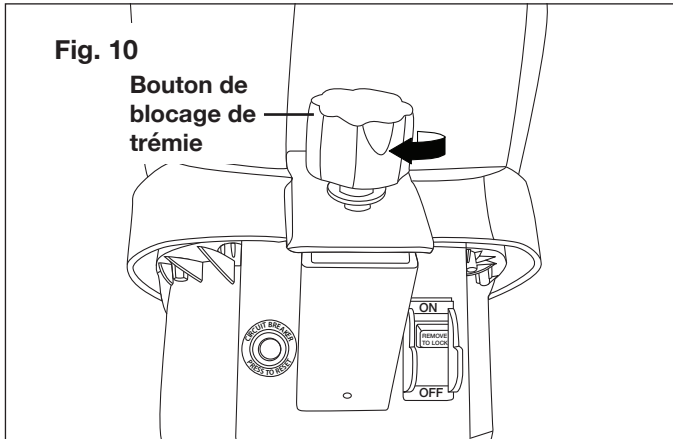
## Utilisation

### Démarrage et arrêt

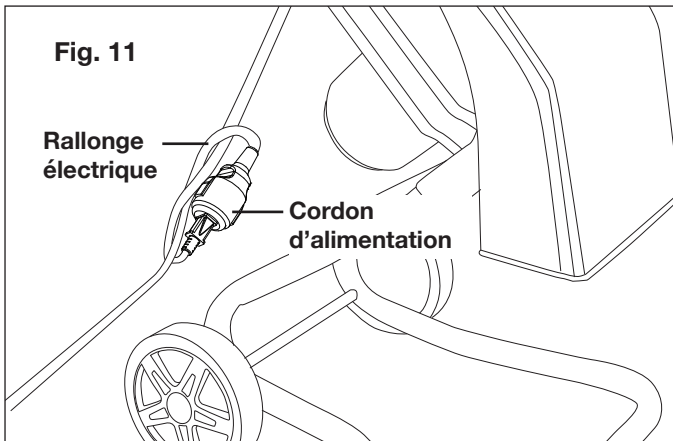
**⚠ AVERTISSEMENT!** Avant de démarrer, s'assurer que l'entrée de la trémie est vide.

**⚠ AVERTISSEMENT!** La broyeur-déshiqueuse ne tournera pas si la trémie est ouverte ou n'est pas bien fermée. Toujours bien fermer la trémie en tournant le bouton de blocage de trémie dans le sens des aiguilles d'une montre avant de démarrer la machine (Fig. 10).

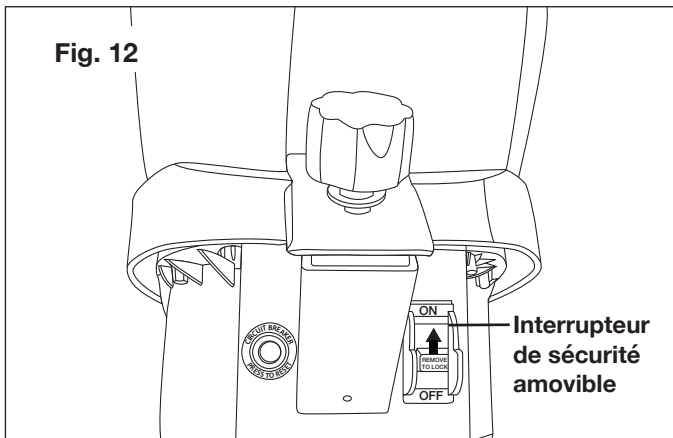




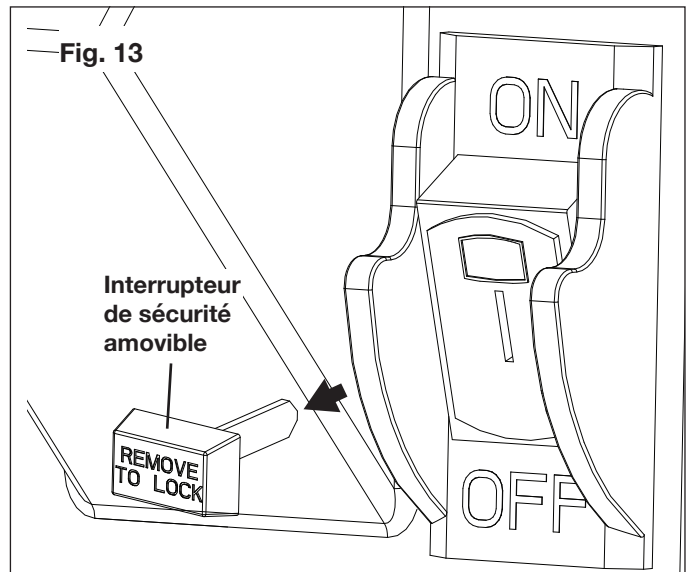
1. Assurez-vous que l'interrupteur de sécurité amovible est sur la position OFF (ARRÊT). Branchez le cordon de la broyeuse-décheteteuse en utilisant une rallonge électrique homologuée et en faisant un nœud avec les deux cordons (Fig. 11).



2. Poussez l'interrupteur de sécurité amovible sur la position ON (MARCHE) pour mettre sous tension la broyeuse-décheteteuse (Fig. 12).



3. Pour mettre hors tension la broyeuse-décheteteuse, poussez l'interrupteur de sécurité amovible sur la position OFF (ARRÊT). Pour désactiver la machine, retirez complètement l'interrupteur de sécurité (Fig. 13).

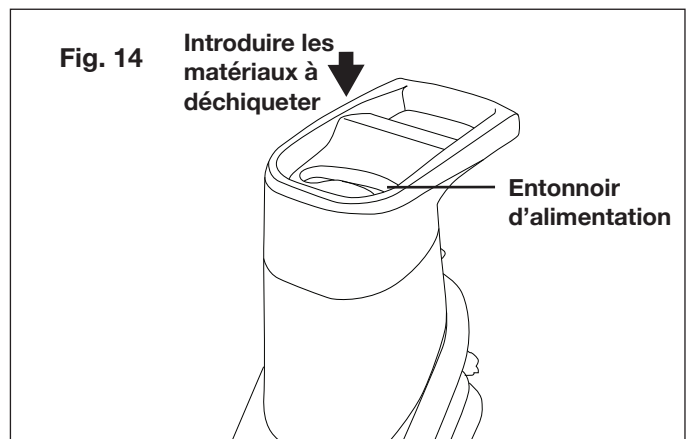


**REMARQUE :** par mesure de précaution et pour empêcher les enfants de démarrer la broyeuse-décheteteuse, l'interrupteur de sécurité amovible peut être retiré quand vous n'utilisez pas la machine. Vous ne pouvez pas démarrer la machine si l'interrupteur de sécurité est retiré. Assurez-vous de replacer l'interrupteur de sécurité amovible avant utilisation de la machine.

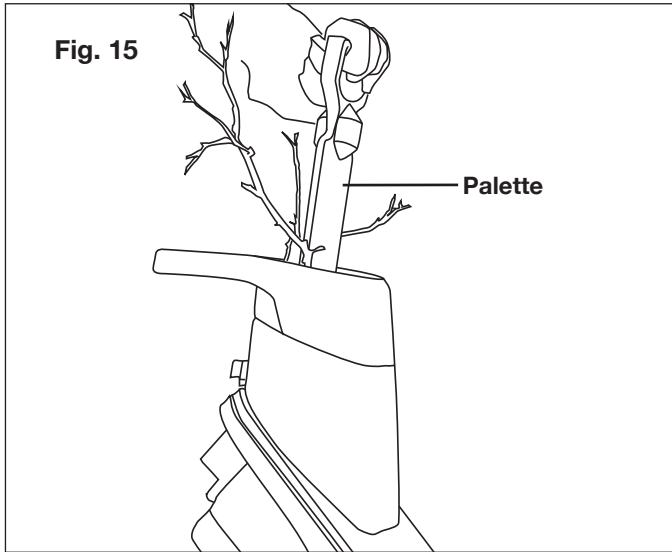
## Procédure élémentaire de déchetage

**⚠️ AVERTISSEMENT!** Toujours porter une protection pour les oreilles et les yeux ainsi que des gants pendant l'utilisation de la machine.

1. Branchez la broyeuse-décheteteuse dans une source d'alimentation appropriée et mettez en marche la machine; la broyeuse-décheteteuse est prête à être utilisée. Introduisez les matériaux à décheteter dans la trémie en les faisant passer dans l'entonnoir d'alimentation (Fig. 14).



2. Au besoin, utilisez la palette pour pousser les matériaux dans la trémie (Fig. 15).



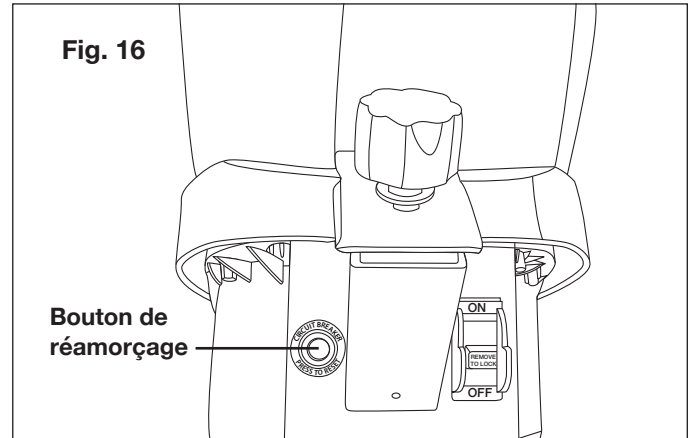
**⚠ AVERTISSEMENT!** Ne jamais mettre les mains dans la trémie pendant que le moteur de la broyeuse-déchiquteuse tourne. Pour pousser dans la trémie les matériaux à déchiquter, toujours utiliser la palette qui est fournie avec la broyeuse-déchiquteuse.

3. Introduisez uniquement la quantité de matériaux qui ne risque pas de bloquer l'entonnoir d'alimentation. Broyez les débris de jardinage qui ont été stockés pendant quelques jours et qui sont flétris et introduisez alternativement des branches sèches. Ceci empêche les lames de coupe de se bloquer. Les branches ayant des feuilles doivent être entièrement broyées avant d'introduire d'autres matériaux. Assurez-vous que les matériaux broyés peuvent tomber librement en passant à travers la fente d'éjection.
4. Quand vous les introduisez dans la broyeuse-déchiquteuse, tenez les branches jusqu'à ce qu'elles soient automatiquement entraînées à l'intérieur.
5. Gardez le même rythme que le régime de la broyeuse-déchiquteuse et ne la surchargez pas.
6. Pour empêcher la broyeuse-déchiquteuse de se boucher, déchiqutez des débris de jardinage flétris que l'on a laissé sécher pendant quelques jours et déchiqutez alternativement des brindilles et des branches.
7. Avant de déchiquter des racines, retirez la terre et les pierres qui sont dessus.
8. Ne déchiqutez pas des matériaux mous et humides, par exemple des déchets de cuisine; faites-les plutôt composter.
9. Gardez quelques branches sèches pour la fin, car elles permettent de mieux nettoyer la broyeuse-déchiquteuse.
10. Arrêtez la broyeuse-déchiquteuse seulement quand tous les matériaux déchiquetés sont passés à travers la goulotte d'éjection. Sinon, la goulotte d'éjection peut se coincer quand la machine est remise en marche la fois suivante.

## Protection contre les surcharges

Votre broyeuse-déchiquteuse électrique est conçue avec une protection contre les surcharges. Si la déchiquteuse est obstruée pendant le hachage, la protection contre les surcharges coupera automatiquement l'alimentation électrique pour protéger la machine. Quand l'alimentation électrique est coupée, patientez au moins 1 minute avant de redémarrer la machine.

1. Pour redémarrer la broyeuse-déchiquteuse, appuyez d'abord sur le bouton de réamorçage (Fig. 16).



2. Poussez ensuite l'interrupteur de sécurité amovible sur la position ON (MARCHE) pour redémarrer la broyeuse-déchiquteuse (Fig. 12).

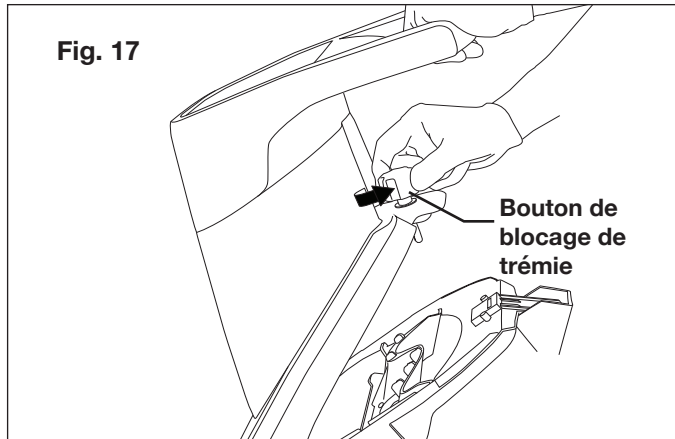
## Soins et entretien

**⚠ ATTENTION!** Avant d'effectuer le moindre nettoyage ou entretien, s'assurer que la machine est débranchée.

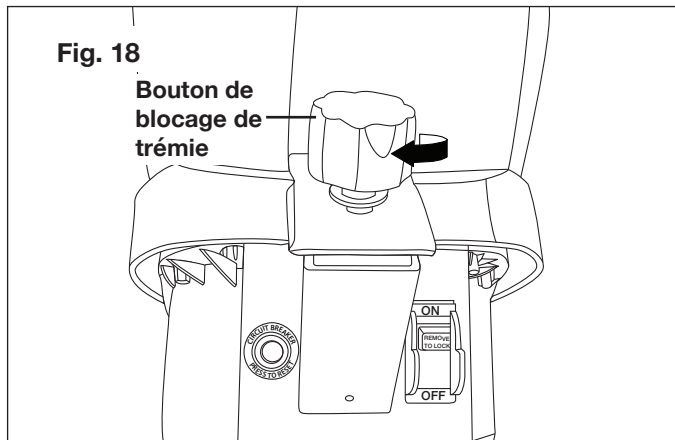
**⚠ AVERTISSEMENT!** Toujours porter des gants pour le nettoyage ou l'entretien de la machine.

### Nettoyage

1. Pour nettoyer la broyeuse-déchiquteuse, utilisez uniquement un chiffon trempé dans de l'eau chaude et une brosse souple.
2. N'aspergez jamais d'eau sur la broyeuse-déchiquteuse et ne la lavez jamais à l'eau. N'utilisez ni détergents ni solvants, car ils pourraient endommager irrémédiablement la broyeuse-déchiquteuse.
3. Assurez-vous que les fentes d'aération sont toujours propres et exemptes de débris.
4. Pour nettoyer l'intérieur de la machine, ouvrez la trémie. Dévissez le bouton de blocage de trémie dans le sens contraire des aiguilles d'une montre et retirez la trémie (Fig. 17).

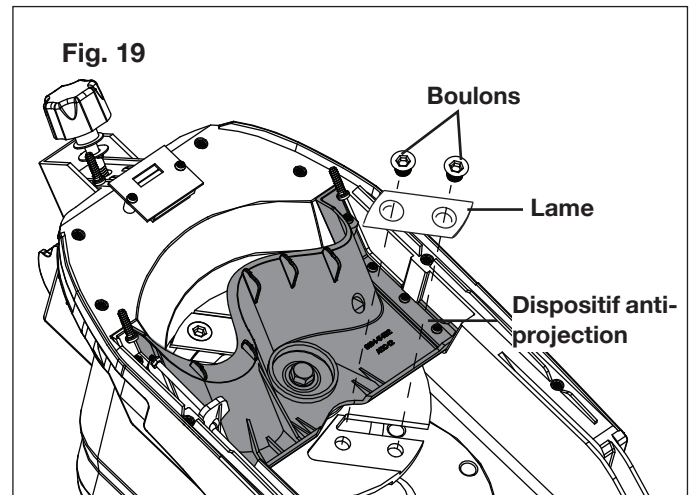


5. Nettoyez les lames de coupe et la zone d'éjection. Retirez les bâtons de bois ou tout ce qui pourrait obstruer les lames. Inspectez les lames pour vérifier qu'elles ne sont pas endommagées.
6. Après avoir nettoyé l'intérieur de la broyeuse-déchetuse, remplacez la trémie et verrouillez le bouton de blocage de trémie en le tournant dans le sens des aiguilles d'une montre (Fig. 18).



broyeuse-déchetuse, peut compromettre la sécurité de l'utilisateur et annuler la garantie du fabricant.

1. Arrêtez le moteur et débranchez la machine.
2. Pour ouvrir la trémie, dévissez le bouton de blocage de trémie dans le sens contraire des aiguilles d'une montre (Fig. 17).
3. Faites tourner la tête de coupe de telle sorte que les boudons de lame ne soient plus sous le dispositif anti-projection et puissent être retirés; empêchez la tête de coupe de tourner en insérant une tige (p. ex., un tournevis) ou un chiffon entre la tête de coupe et le caisson. Dévissez les boulons de lame à l'aide de la clé Allen fournie et retirez la lame (Fig. 19).
4. Changez le sens de la lame d'origine ou posez une nouvelle lame. Alignez les fentes sur la lame avec les rainures sur la tête de coupe. Serrez les boulons à l'aide de la clé Allen fournie (Fig. 19).



5. Répétez les étapes 3 et 4 pour remplacer l'autre lame.
6. Remplacez la trémie; serrez le bouton de blocage de trémie en le tournant dans le sens des aiguilles d'une montre.

## Remplacement des lames de coupe

La broyeuse-déchetuse est équipée de deux lames réversibles qui sont attachées à une plaque rotative par deux boulons. Avant de procéder à un entretien ou un nettoyage des lames, mettez la machine hors tension et débranchez-la.

**⚠️ AVERTISSEMENT!** S'assurer de porter des gants de protection pour la manipulation des lames.

**IMPORTANT :** utilisez uniquement des pièces de rechange d'origine spécifiées pour cette broyeuse-déchetuse.

Vous pouvez acheter une lame de rechange (modèle CJ601E-RBLD) et d'autres pièces de rechange d'origine en passant votre commande en ligne sur le site [sunjoe.com](http://sunjoe.com), ou par téléphone en appelant le service clientèle Snow Joe® + Sun Joe® au 1-866-SNOWJOE (1-866-766-9563). L'utilisation de pièces qui ne répondent pas aux spécifications de la machine d'origine peut entraîner un rendement anormal de la

# Remisage

Suivez les étapes ci-dessous pour préparer la broyeuse-déchiqueteuse électrique avant son remisage :

1. Débranchez la broyeuse-déchiqueteuse.
2. Nettoyez la broyeuse-déchiqueteuse à l'aide d'un chiffon mouillé ou d'une brosse à main.
3. Inspectez soigneusement la broyeuse-déchiqueteuse pour déceler la présence éventuelle de pièces usées, desserrées ou endommagées. Vérifiez les raccords et les vis et resserrez au besoin. Prêtez une attention particulière aux lames et remplacez-les si elles présentent des signes d'usure. Consultez la section Soins et entretien.
4. Remisez la broyeuse-déchiqueteuse à l'intérieur dans un endroit sec, propre, frais et hors de portée des enfants. Ne remisez pas la machine à proximité de matériaux corrosifs, par exemple de l'engrais ou du chlorure de sodium.
5. Essuyez la rallonge électrique pour retirer toute substance étrangère, par exemple de l'huile ou des taches. Remplacez immédiatement la rallonge électrique si elle est coupée ou endommagée, d'une façon ou d'une autre.
6. Ne recouvrez pas la broyeuse-déchiqueteuse d'une bâche en plastique. Les couvertures en plastique retiennent l'humidité autour de la machine, ce qui peut l'endommager.

# Entretien, réparations et assistance technique

Si votre broyeuse-déchiqueteuse électrique Sun Joe® nécessite une réparation ou un entretien, veuillez appeler le service clientèle Snow Joe® + Sun Joe® au 1-866-SNOWJOE (1-866-766-9563).

# Numéros de modèle et de série

Lorsque vous communiquez avec l'entreprise pour commander des pièces, vous devez fournir les numéros de modèle et de série de votre produit. Ceux-ci se trouvent sur l'étiquette autocollante apposée sur le caisson ou la poignée de votre broyeuse-déchiqueteuse électrique. Copiez ces numéros dans l'espace réservé ci-dessous.

<b>Veillez noter les numéros suivants sur le carter ou le guidon de votre nouvelle machine :</b>	
N° de modèle :	
C   J   6   0   2   E	
N° de série :	

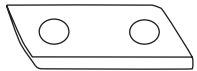
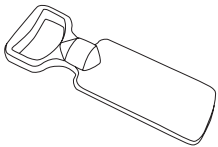
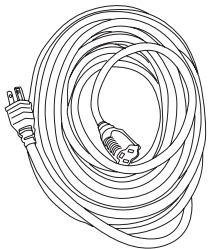
# Dépannage

Problème	Cause possible	Solution
Le moteur ne tourne pas	<ul style="list-style-type: none"> <li>• Panne de courant/machine non branchée dans une prise en bon état.</li> <li>• La protection contre les surcharges s'est déclenchée.</li> <li>• La trémie est ouverte.</li> </ul>	<ul style="list-style-type: none"> <li>• Vérifiez que la machine est bien branchée dans une prise de courant en bon état. Assurez-vous que la rallonge électrique n'est pas endommagée.</li> <li>• Retirez tous les copeaux et appuyez sur le bouton de réamorçage. Patientez une minute avant d'appuyer sur l'interrupteur marche-arrêt pour redémarrer la machine.</li> <li>• Vérifiez que la trémie est bien attachée et que le bouton de blocage de trémie est serré.</li> </ul>
Les matériaux à déchiqueter ne sont pas entraînés à l'intérieur	<ul style="list-style-type: none"> <li>• Les matériaux se coincent dans l'entrée d'alimentation.</li> <li>• Les lames de coupe sont bloquées.</li> <li>• la goulotte d'éjection est bloquée.</li> </ul>	<ul style="list-style-type: none"> <li>• Examinez la tête de coupe et retirez tous les matériaux bloqués. Remplacez la trémie.</li> <li>• Débranchez la machine et ouvrez la trémie. Ouvrez le couvre-lames. Retirez les matériaux bloqués et remplacez le couvre-lames et la trémie.</li> <li>• Débranchez la machine et ouvrez la trémie. Ouvrez la plaque de la goulotte d'éjection pour retirer les matériaux bloqués. Remplacez la plaque et la trémie.</li> </ul>
Les lames coupent de façon inefficace	<ul style="list-style-type: none"> <li>• Le tranchant des lames est usé.</li> </ul>	<ul style="list-style-type: none"> <li>• Renversez le sens des lames ou remplacez-les par des lames neuves.</li> </ul>

Seul un spécialiste de l'entreprise peut solutionner les pannes qui ne peuvent pas l'être à l'aide de ce tableau. Veuillez appeler le service clientèle Snow Joe® + Sun Joe® au 1-866-SNOWJOE (1-866-766-9563).

## Accessoires facultatifs

**⚠️ AVERTISSEMENT!** TOUJOURS utiliser des pièces de rechange et des accessoires Snow Joe® + Sun Joe® homologués. NE JAMAIS utiliser des pièces de rechange ou des accessoires qui ne sont pas destinés à être utilisés avec cette machine. Communiquez avec Snow Joe® + Sun Joe® si vous n'êtes pas sûr que l'utilisation d'une pièce de rechange ou d'un accessoire particulier avec votre machine soit sans danger. L'utilisation de tout autre accessoire ou de toute autre pièce détachée peut être dangereuse et pourrait provoquer des dommages corporels ou mécaniques.

Accessoires	Description	Modèle
<p>①</p> 	<p>Lame de rechange pour la broyeuse-déchiquteuse électrique Sun Joe® CJ601E</p>	<p>CJ601E-RBLD</p>
<p>②</p> 	<p>Palette pour la broyeuse-déchiquteuse électrique Sun Joe® CJ601E</p>	<p>CJ601E-1</p>
<p>③</p> 	<p>Rallonge électrique 15 m de calibre 14 Snow Joe® + Sun Joe® SJTW-A dont les extrémités s'éclairent quand elle est sous tension.</p>	<p>PJEXT50-B</p>

**REMARQUE :** les accessoires sont sous réserve de changements sans que Snow Joe® + Sun Joe® soit pour autant tenue de donner un préavis desdits changements. Les accessoires peuvent être commandés en ligne sur le site [sunjoe.com](http://sunjoe.com) ou par téléphone en appelant le service clientèle Snow Joe® + Sun Joe® au 1-866-SNOWJOE (1-866-766-9563).



## LA PROMESSE DE SNOW JOE® + SUN JOE® À SES CLIENTS

Vous êtes notre client et Snow Joe, LLC (« Snow Joe ») **SE MET EN QUATRE** pour vous servir. Nous nous efforçons de vous rendre l'utilisation de nos produits aussi plaisante que possible. Malheureusement, il peut arriver qu'un produit Snow Joe®, Sun Joe® ou Aqua Joe (« Produit ») ne fonctionne pas ou se casse dans des conditions d'utilisation normales. Nous pensons qu'il est important que vous sachiez ce que vous pouvez attendre de nous. C'est pourquoi nous avons une garantie limitée (« Garantie ») pour nos Produits.

### NOTRE GARANTIE :

Snow Joe déclare et garantit que les Produits neufs, d'origine, électriques ou non électriques sont exempts de vices de matière ou de fabrication et, lorsqu'ils font l'objet d'une utilisation résidentielle et ménagère ordinaire, les garantit pendant une période de deux ans à compter de la date d'achat au détail par l'acheteur primitif auprès de Snow Joe ou d'un des revendeurs agréés de Snow Joe, preuve d'achat à l'appui. Étant donné que Snow Joe ne peut pas contrôler la qualité de ses Produits vendus par des revendeurs non agréés, sauf stipulation contraire de la loi, la présente Garantie ne couvre pas les Produits achetés auprès de vendeurs non agréés. Si votre Produit ne fonctionne pas ou si une pièce spécifique couverte par les modalités de la présente Garantie fait l'objet d'un problème quelconque, Snow Joe choisira (1) de vous envoyer une pièce de rechange gratuite, (2) de remplacer le Produit par un produit neuf ou comparable, gratuitement, ou (3) de réparer le Produit. Génial, n'est-ce pas?

**La présente Garantie vous donne des droits judiciaires spécifiques, et vous pouvez également avoir d'autres droits qui peuvent varier d'une province ou d'un territoire à l'autre.**

### ENREGISTREMENT DU PRODUIT :

Snow Joe vous recommande vivement d'enregistrer votre Produit. Vous pouvez l'enregistrer en ligne sur le site [snowjoe.com/register](http://snowjoe.com/register), ou en imprimant et en envoyant par courrier une carte d'enregistrement offerte en ligne sur notre site Web, ou par téléphone en appelant notre Service à la clientèle au **1-866-SNOWJOE (1-866-766-9563)**, ou encore en nous envoyant un courriel à l'adresse [help@snowjoe.com](mailto:help@snowjoe.com). Le fait de ne pas enregistrer l'achat de votre Produit n'a aucune conséquence sur vos droits concernant la garantie. Toutefois, l'enregistrement de votre Produit permettra à Snow Joe de mieux répondre au moindre besoin que vous pourriez avoir en matière de service à la clientèle.

### QUI PEUT REVENDIQUER LA COUVERTURE DE LA GARANTIE?

La présente Garantie est étendue par Snow Joe à l'acheteur et propriétaire primitif du Produit.

### QU'EST-CE QUI N'EST PAS COUVERT?

La présente Garantie ne s'applique pas si le Produit a été utilisé commercialement, pour des travaux non résidentiels ou s'il fait l'objet d'une location. La présente Garantie ne s'applique pas non plus si le Produit a été acheté auprès d'un revendeur non agréé. La présente garantie ne couvre pas non plus les changements cosmétiques qui n'affectent pas le rendement. Les pièces d'usure comme les courroies, les tarières, les chaînes et les dents ne sont pas couvertes au titre de la présente Garantie et peuvent être achetées en ligne sur le site [snowjoe.com](http://snowjoe.com) ou en appelant le **1-866-SNOWJOE (1-866-766-9563)**.





[sunjoe.com](http://sunjoe.com)